

Parts Catalog

Admiral PLUS 40 D Rider Sweeper / Scrubber



Table of Contents

Covering (L.H.) (97126015-1)	4
Covering (R.H.) (97126015-2)	8
Frame (97118129)	12
Steering (97042352)	16
Travel drive (97042329)	18
Service brake - Accelerator pedal (97118152-1)	20
Parking brake (97118152-2)	24
Brake air conduit scheme (97118152-3)	26
Seat group (97126445)	28
Wiper part 1 (97120273-1)	30
Wiper part 2 (97120273-2)	32
Brush lifting (97117253)	34
Brush head part 1 (97111785-1)	36
Brush head part 2 (97111785-2)	40
Brush head part 3 (97111785-3)	42
Hopper Flexible wall/Fast wall (97127161)	44
Flap (Hopper) (97042535)	50
Automatic load (97075220 7580-13)	52
Water circulation (97115448)	54
Suction unit (97075337)	58
Lifting assy for suction (97042345)	62
Squeegee (97042360)	66
Rear wheels (97042311)	68
Electrical installation (Part 1) (97099717-1)	74
Electrical installation (Part 2) (97099717-2)	80
Labels (97127062)	86

This manual covers all standard models:

Model No.

The machine will provide excellent service. However, the best results will be obtained if:

- The machine is operated with reasonable care.
- The machine is maintained regularly per the maintenance schedule in the instruction manual provided.
- The machine is maintained with PowerBoss OEM supplied or equivalent parts.

All right side and left side references to the machine are determined by facing the direction of forward travel. Parts may be ordered by phone or mail from any PowerBoss parts and service center. Before ordering parts or supplies be sure to have your machine model number and serial number handy.

Fill out the data block below for future reference.

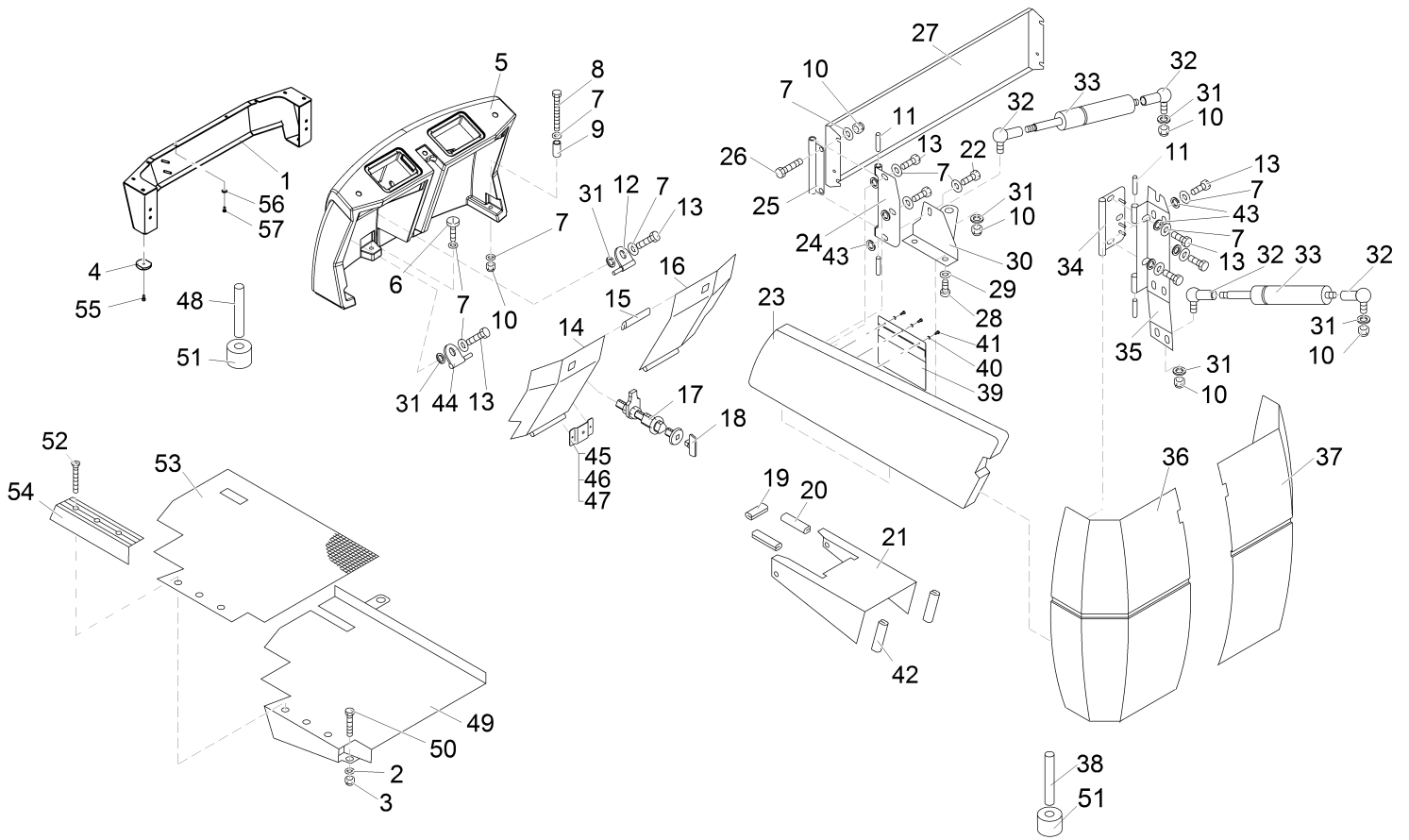
MACHINE DATA Fill Out At Installation	
Model:	
Serial Number:	_____
Sales Rep or Dealer:	_____
Date of Install:	_____
Manual p/n:	4100060

All information contained in this manual is current at the time of printing However, PowerBoss Reserves the right to make changes at any time without notice.

© 2018, Powerboss, Inc., Printed in USA

All rights reserved. This manual may not be copied or reproduced in any form, without the written permission of PowerBoss, Inc.

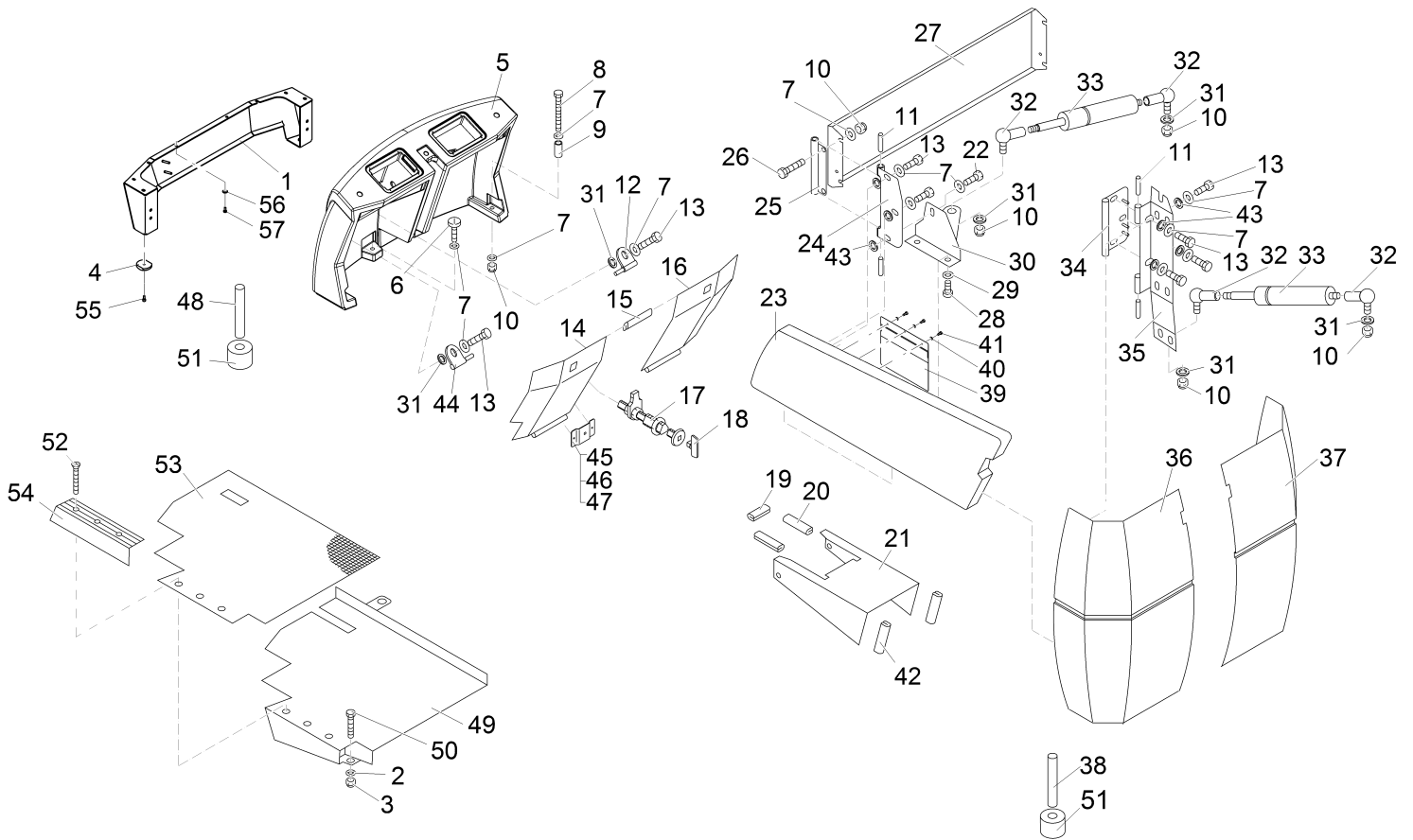
Covering (L.H.) (97126015-1)



Covering (L.H.) (97126015-1)

Item	Part number	Description	Qty.	Unit	Remarks
1	03011570	Underride protection	1		
2	00135120	Washer	2		
3	00051520	Hex. Nut	2		
4	01070970	Stay	2		
5	---	Spare part on request	1		96142385 Front wall
6	00109720	Screw	1		
7	00042900	Washer	20		
8	00074260	Hex.bolt	12		
9	00975110	Bushing	2		
10	00051510	Hex. Nut	8		
11	00155070	Cylinder pin	4		
12	00975100	Bolt	1		
13	00536320	Hex.bolt	11		
14	00722190	Sheet metal L.H.	1		
15	00681570	Edge protection	1,000		
16	00722180	Sheet metal R.H.	1		
17	00975120	Bolt lock	1		
18	00975170	Key	1		
19	00461460	Edge protection	0,160		
20	00752350	Edge protection	0,140		
21	00980620	Hood	1		
22	00053080	Hexagon screw	1		
23	00980050	Side door left	1		
24	00980740	Plate	1		
25	00980770	Plate	1		
26	00053100	Hexagon screw	2		
27	00035220	Plate	1		
28	00959220	Screw	3		
29	00053720	Washer	3		
30	00975090	Angle	1		
31	00053750	Washer	8		
32	00527690	Angle joint	6		
33	00159800	Gas spring	3		
34	00980790	Plate	1		
35	00980810	Angle	1		
36	00980010	Door left	1		

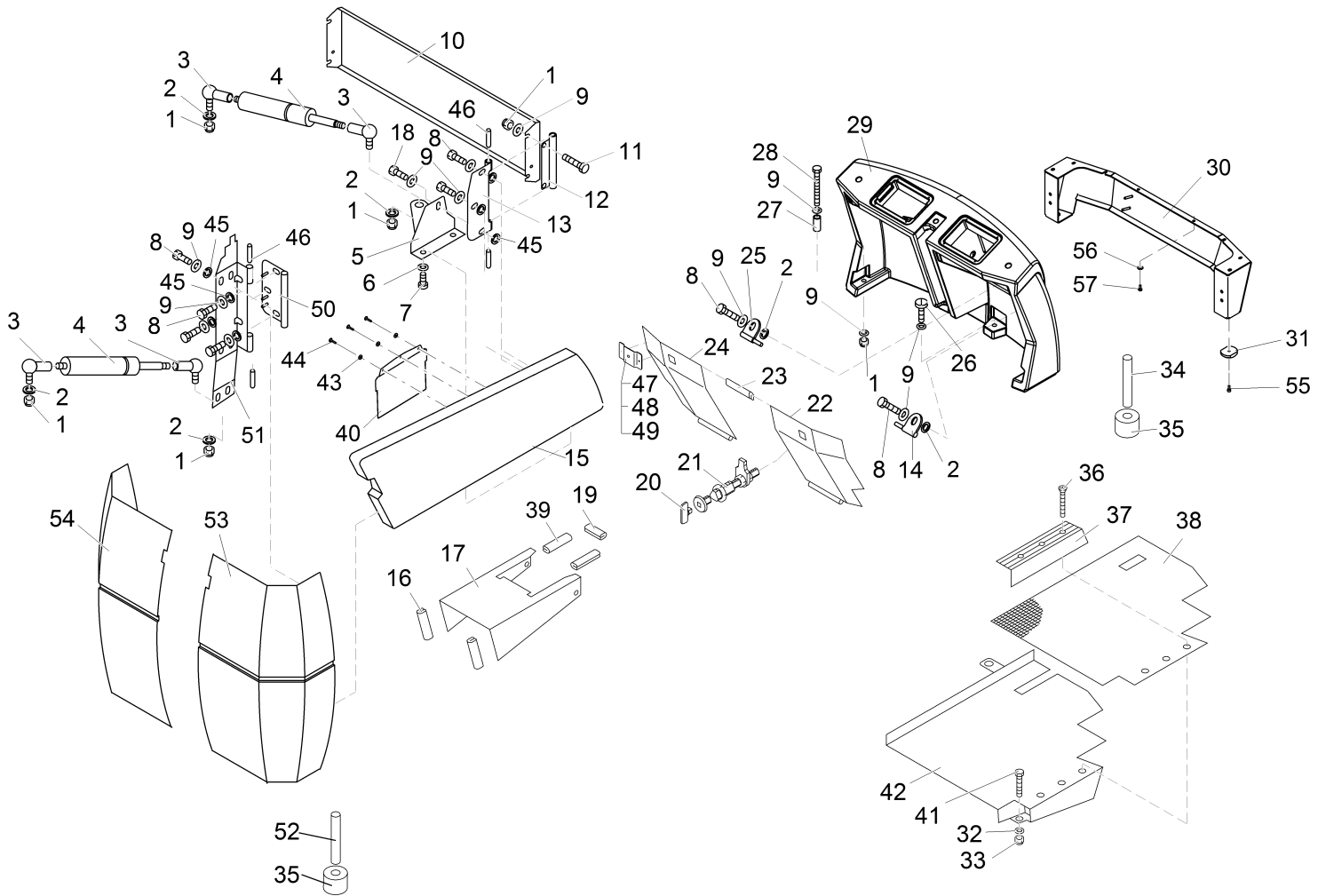
Covering (L.H.) (97126015-1)



Covering (L.H.) (97126015-1)

Item	Part number	Description	Qty.	Unit	Remarks
37	00980030	Door right	1		
38	00102290	Bolt	1		
39	01078280	Bag	1		
40	00555520	Washer	3		
41	00905520	Screw	3		
42	00752350	Edge protection	0,580		
43	00053730	Washer	20		
44	00959640	Bolt	1		
45	00695730	Holder	1		
46	00023640	Cable clip	1		
47	01177820	Blind rivet	1		
48	00975160	Bolt	1		
49	00980560	Bottom plate	1		
50	00053020	Hexagon screw	1		
51	00975150	Roller	2		
52	00551140	Tapping screw	3		
53	00980610	Floor mat	1		
54	00975140	Step plate	1		
55	00102790	Cylinder head screw	2		
56	00740080	Washer	9		
57	00053090	Hexagon screw	9		

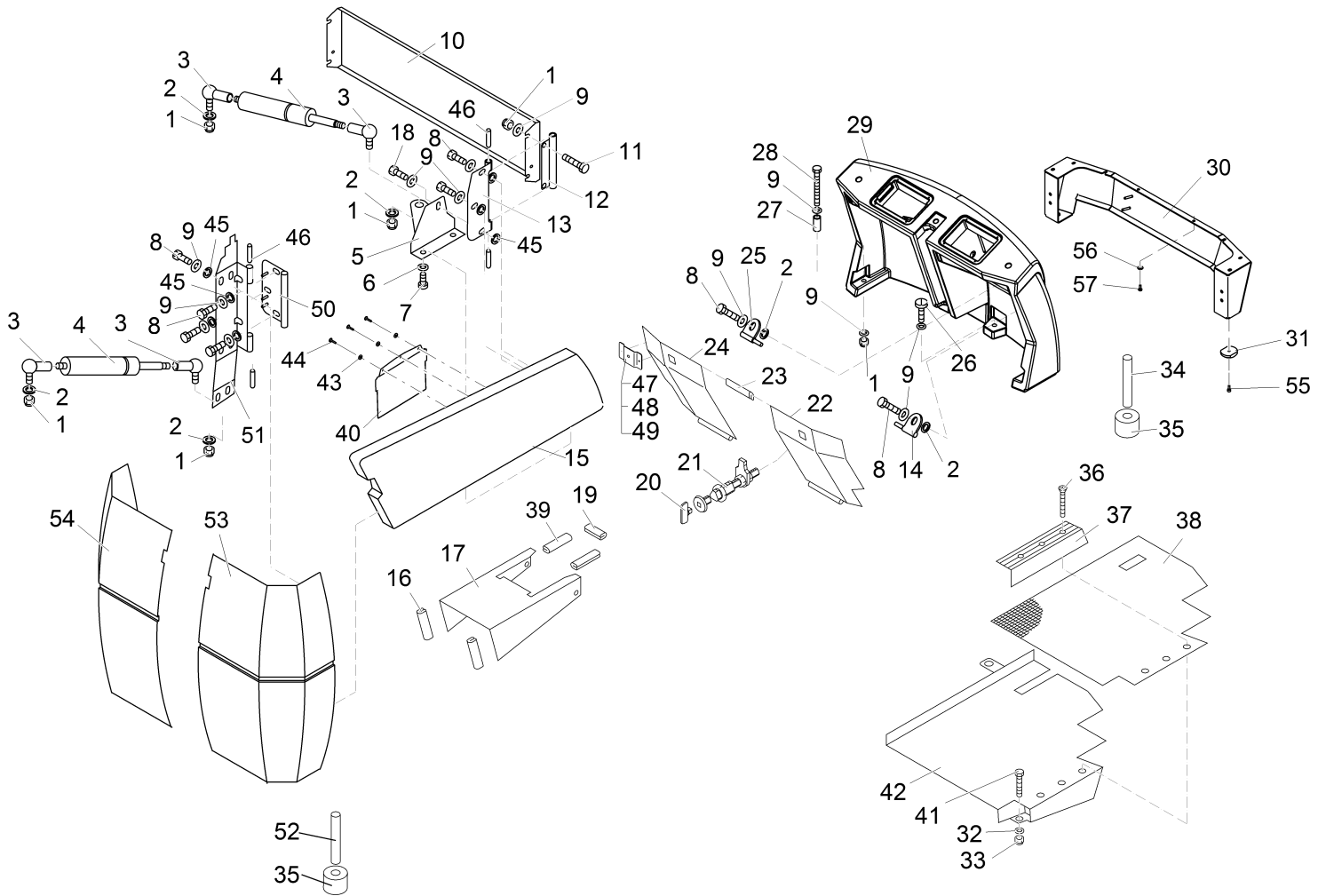
Covering (R.H.) (97126015-2)



Covering (R.H.) (97126015-2)

Item	Part number	Description	Qty.	Unit	Remarks
1	00051510	Hex. Nut	8		
2	00053750	Washer	8		
3	00527690	Angle joint	6		
4	00159800	Gas spring	3		
5	00975080	Angle	1		
6	00053720	Washer	3		
7	00959220	Screw	3		
8	00536320	Hex.bolt	11		
9	00042900	Washer	20		
10	00035220	Plate	1		
11	00053100	Hexagon screw	2		
12	00980770	Plate	1		
13	00980780	Plate	1		
14	00975100	Bolt	1		
15	00980070	Side door right	1		
16	00752350	Edge protection	0,580		
17	00980620	Hood	1		
18	00053080	Hexagon screw	1		
19	00461460	Edge protection	0,160		
20	00975170	Key	1		
21	00975120	Bolt lock	1		
22	00722180	Sheet metal R.H.	1		
23	00681570	Edge protection	1,000		
24	00722190	Sheet metal L.H.	1		
25	00959640	Bolt	1		
26	00109720	Screw	1		
27	00975110	Bushing	2		
28	00074260	Hex.bolt	2		
29	---	Spare part on request	1		96142385 Front wall
30	03011570	Underride protection	1		
31	01070970	Stay	2		
32	00135120	Washer	2		
33	00051520	Hex. Nut	2		
34	00975160	Bolt	1		
35	00975150	Roller	2		
36	00551140	Tapping screw	3		

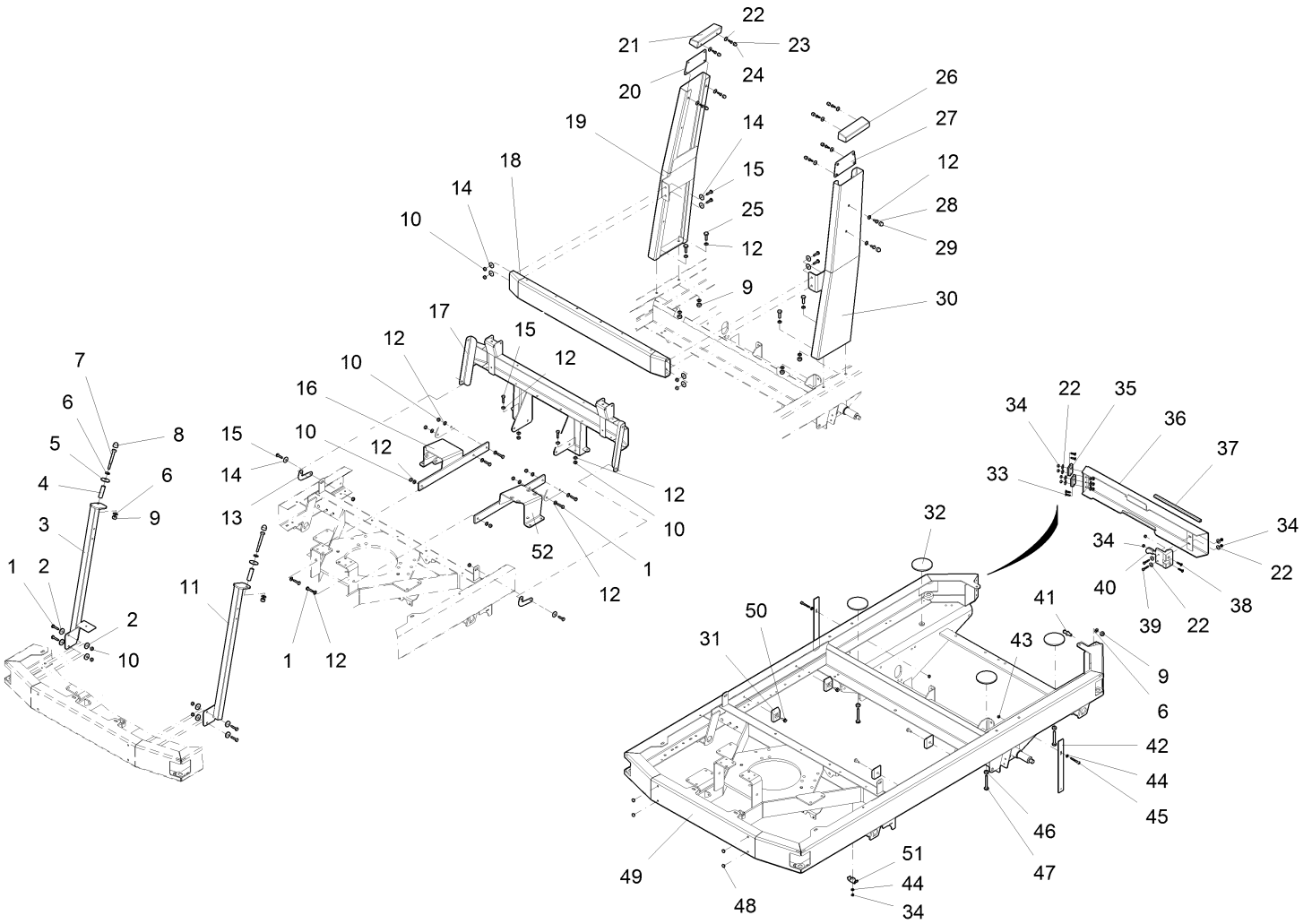
Covering (R.H.) (97126015-2)



Covering (R.H.) (97126015-2)

Item	Part number	Description	Qty.	Unit	Remarks
37	00975130	Step plate	1		
38	00980580	Floor mat	1		
39	00752350	Edge protection	0,140		
40	01078280	Bag	1		
41	00053020	Hexagon screw	1		
42	00980590	Bottom plate	1		
43	00555520	Washer	3		
44	00905520	Screw	3		
45	00053730	Washer	20		
46	00155070	Cylinder pin	4		
47	00695730	Holder	1		
48	00023640	Cable clip	1		
49	01177820	Blind rivet	1		
50	00980790	Plate	1		
51	00980800	Angle	1		
52	00102290	Bolt	1		
53	00980030	Door right	1		
54	00980010	Door left	1		
55	00102790	Cylinder head screw	2		
56	00740080	Washer	9		
57	00053090	Hexagon screw	9		

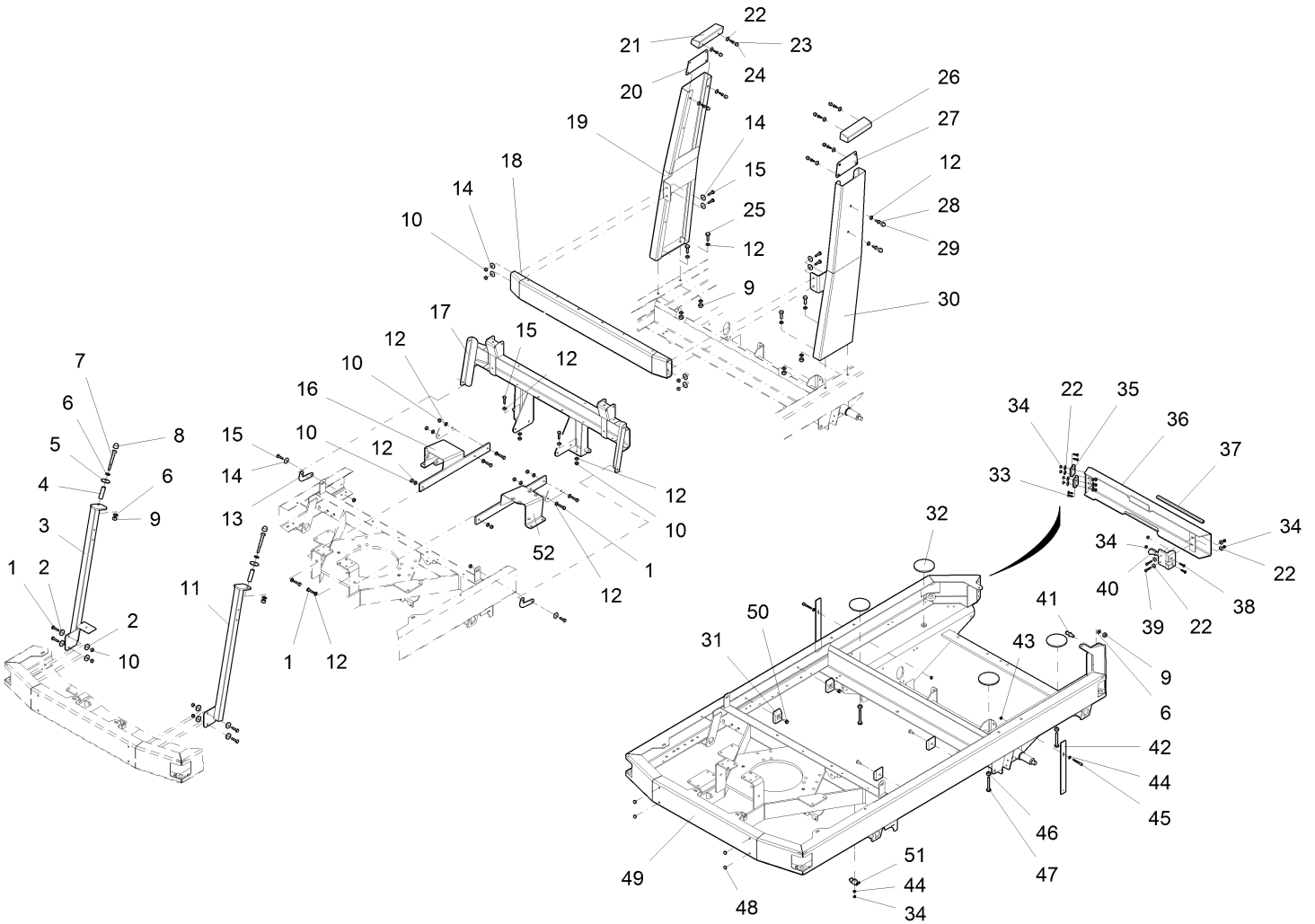
Frame (97118129)



Frame (97118129)

Item	Part number	Description	Qty.	Unit	Remarks
1	00053110	Hexagon screw	10		
2	00047990	Disk wheel	4		
3	00035160	Support right	1		
4	00974240	Sleeve	2		
5	01177570	Washer	2		
6	00053760	Washer	5		
7	00157410	Hex.bolt	2		
8	00747210	Lens cap	2		
9	00051500	Hex. Nut	7		
10	00051510	Hex. Nut	24		
11	00035170	Support left	1		
12	00053750	Washer	26		
13	00974310	Bracket	2		
14	00042900	Washer	12		
15	00053100	Hexagon screw	10		
16	00980420	Prop right	1		
17	00035150	Carrier	1		
18	00035140	Carrier	1		
19	00035120	Spar frame R.H.	1		
20	01073230	Plate R.H., cpl	1		
21	00974280	Hood R.H.	1		
22	00135120	Washer	20		
23	00053010	Hex.bolt	8		
24	00525910	Lens cap	8		
25	00053160	Hexagon screw	4		
26	00974270	Hood L.H.	1		
27	01073240	Plate L.H., cpl.	1		
28	00053080	Hexagon screw	2		
29	00131610	Lens cap	2		
30	03009300	Spar frame L.H.	1		
31	00974300	Spacer piece	4		
32	00974220	Washer	4		
33	00021310	Countersunk screw	8		
34	00051520	Hex. Nut	19		
35	00522530	Hinge	2		
36	00035110	Cross beam rear	1		

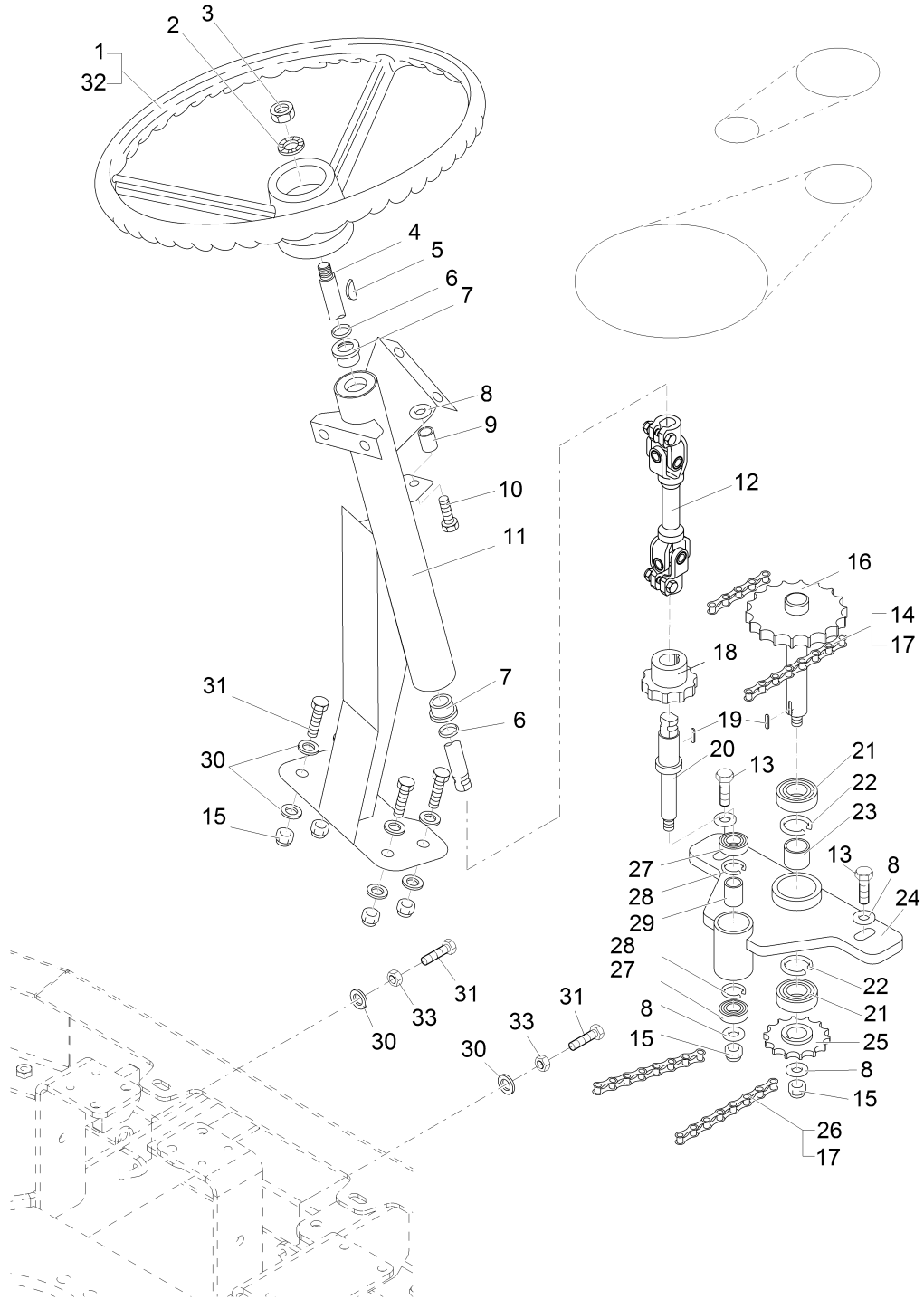
Frame (97118129)



Frame (97118129)

Item	Part number	Description	Qty.	Unit	Remarks
37	00161240	Edge protection	0,280		
38	01276610	Cab lock R.H.	1		
39	00551160	Countersunk screw	2		
40	00053040	Hex.bolt	2		
41	00877070	Bolt	1		
42	01070570	Rubber gasket	2		
43	00053330	Hex. Nut	2		
44	00053730	Washer	3		
45	01143070	Socket head screw	2		
46	00053360	Hex. Nut	4		
47	00051550	Hex.bolt	4		
48	00906060	Drain plug	4		
49	03011640	Chassis	1		
50	00109720	Screw	4		
51	01073420	Clamp	1		
52	00980440	Prop left	1		

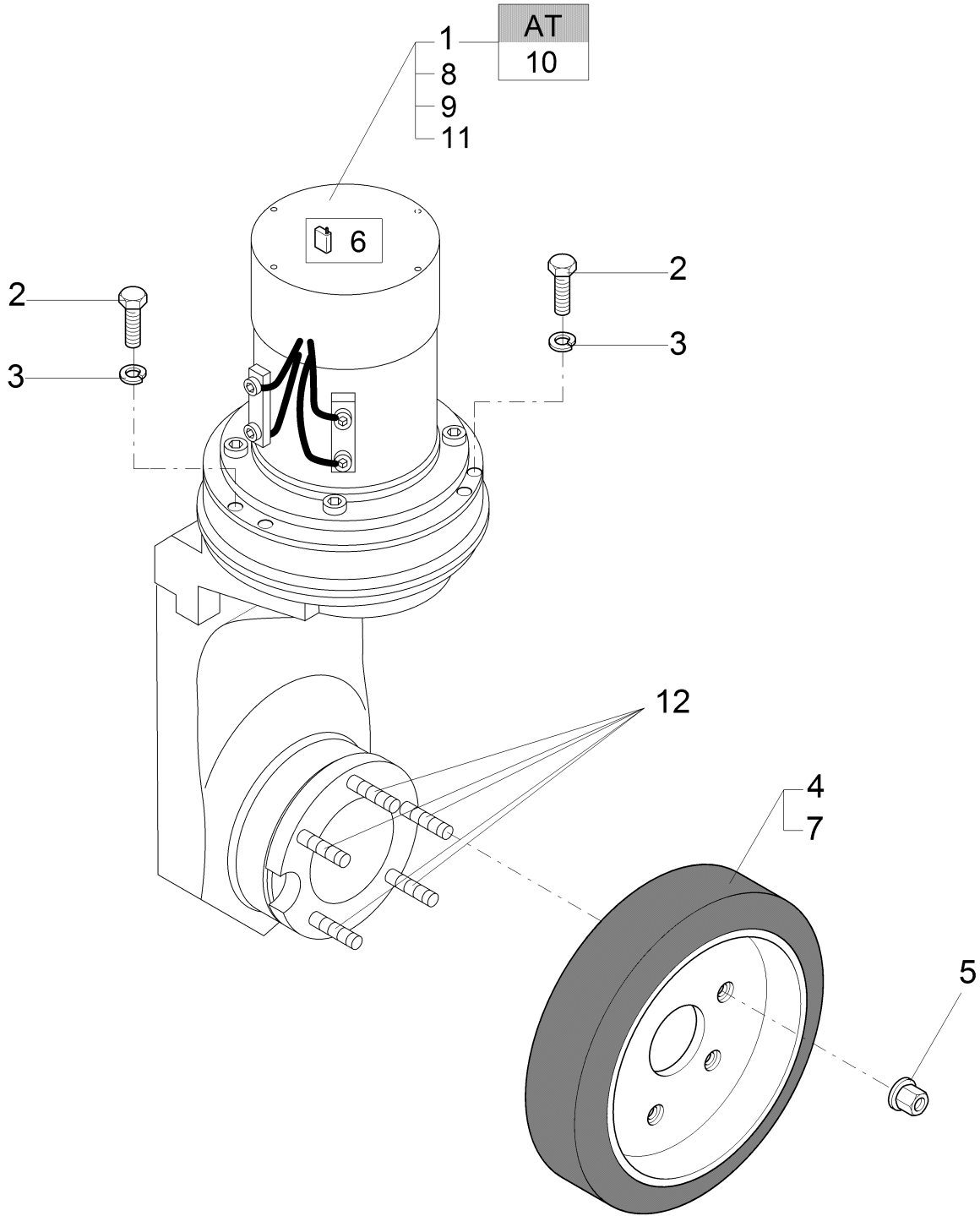
Steering (97042352)



Steering (97042352)

Item	Part number	Description	Qty.	Unit	Remarks
1	00251100	Steering wheel	1		
2	00075290	Toothed washer	1		
3	00074350	Hex. Nut	1		
4	00980760	Shaft	1		
5	00153600	Woodruff key	1		
6	00554400	O-ring oil resistant	2		
7	00523630	Bushing	2		
8	00042900	Washer	5		
9	00974330	Sleeve	1		
10	00053260	Hex.bolt	1		
11	00980750	Pipe	1		
12	00492520	cardan shaft	1		
13	00053100	Hexagon screw	2		
14	00911360	Roller chain	1		
15	00051510	Hex. Nut	6		
16	00975420	Shaft	1		
17	00537280	Section	3		
18	00521170	Chain wheel	1		
19	00153010	Feather key	2		
20	00975440	Shaft	1		
21	00046250	Deep groove ball bearing	2		
22	00154440	Retaining ring	2		
23	00028840	Bushing	1		
24	00980720	Plate	1		
25	00975450	Chain wheel	1		
26	00911340	Roller chain	1		
27	00538360	Deep groove ball bearing	2		
28	00101660	Retaining ring	2		
29	01177590	Pipe	1		
30	00053750	Washer	12		
31	00053110	Hexagon screw	6		
32	01177600	Cap	1		
33	00053350	Hex. Nut	2		

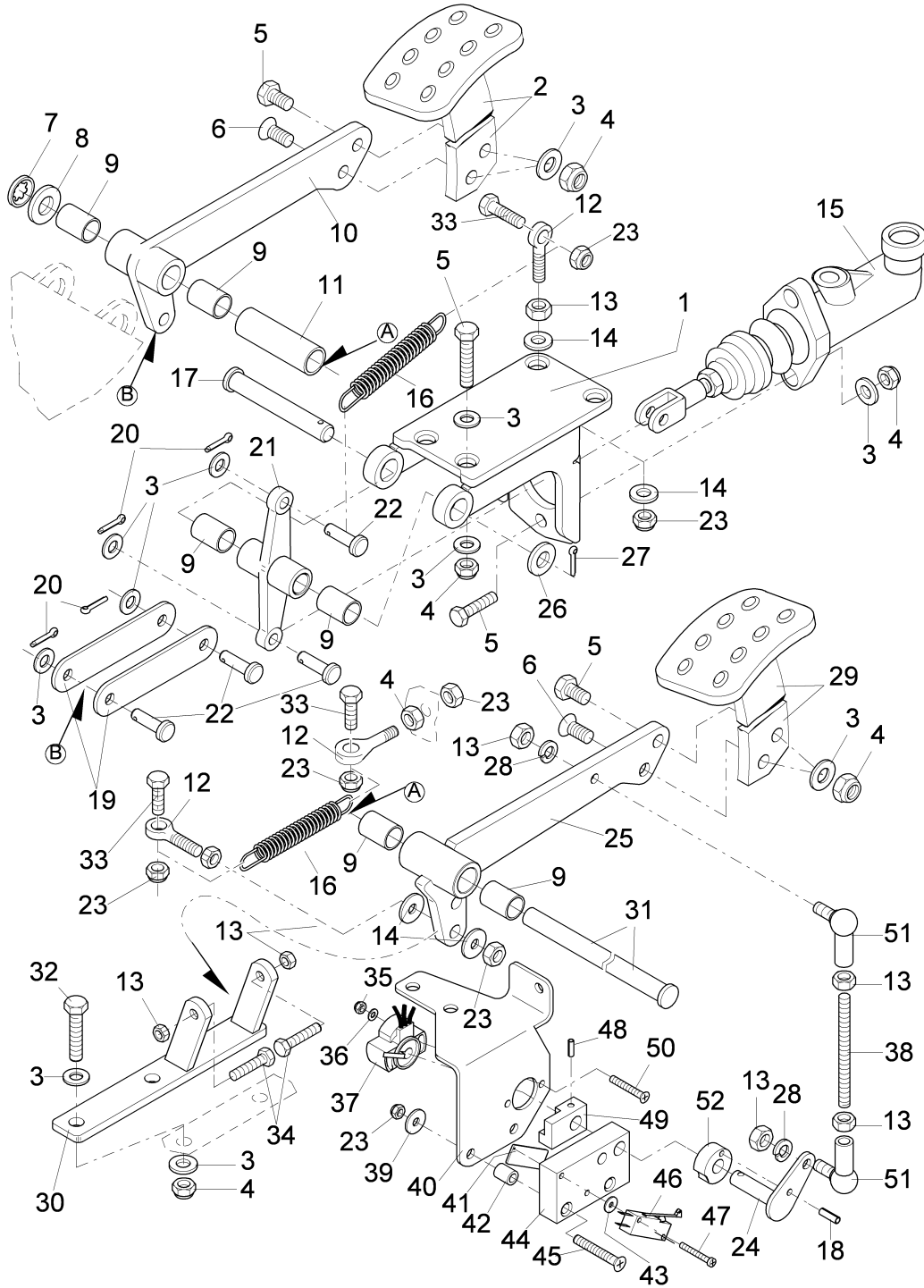
Travel drive (97042329)



Travel drive (97042329)

Item	Part number	Description	Qty.	Unit	Remarks
1	00910150	Wheel drive	1		
2	00155830	Hexagon screw	6		
3	00053430	Lock washer	6		
4	01051310	Front wheel	1		
5	00854640	Spherical collar nut	5		
6	00976490	Carbon brush	4		
7	01057120	Front wheel, (skid-proof type)	1		
8	00912540	Rotary shaft seal	1		
9	01177100	Thermo guard	1		
10	00000970	Wheel drive	1		Replacement part for 00910150
11	03502250	Spur gear set	1		incl. bevel wheel, spur wheel, o-ring, hexagon nut and slotted nut
12	01276620	Wheel bolt	5		

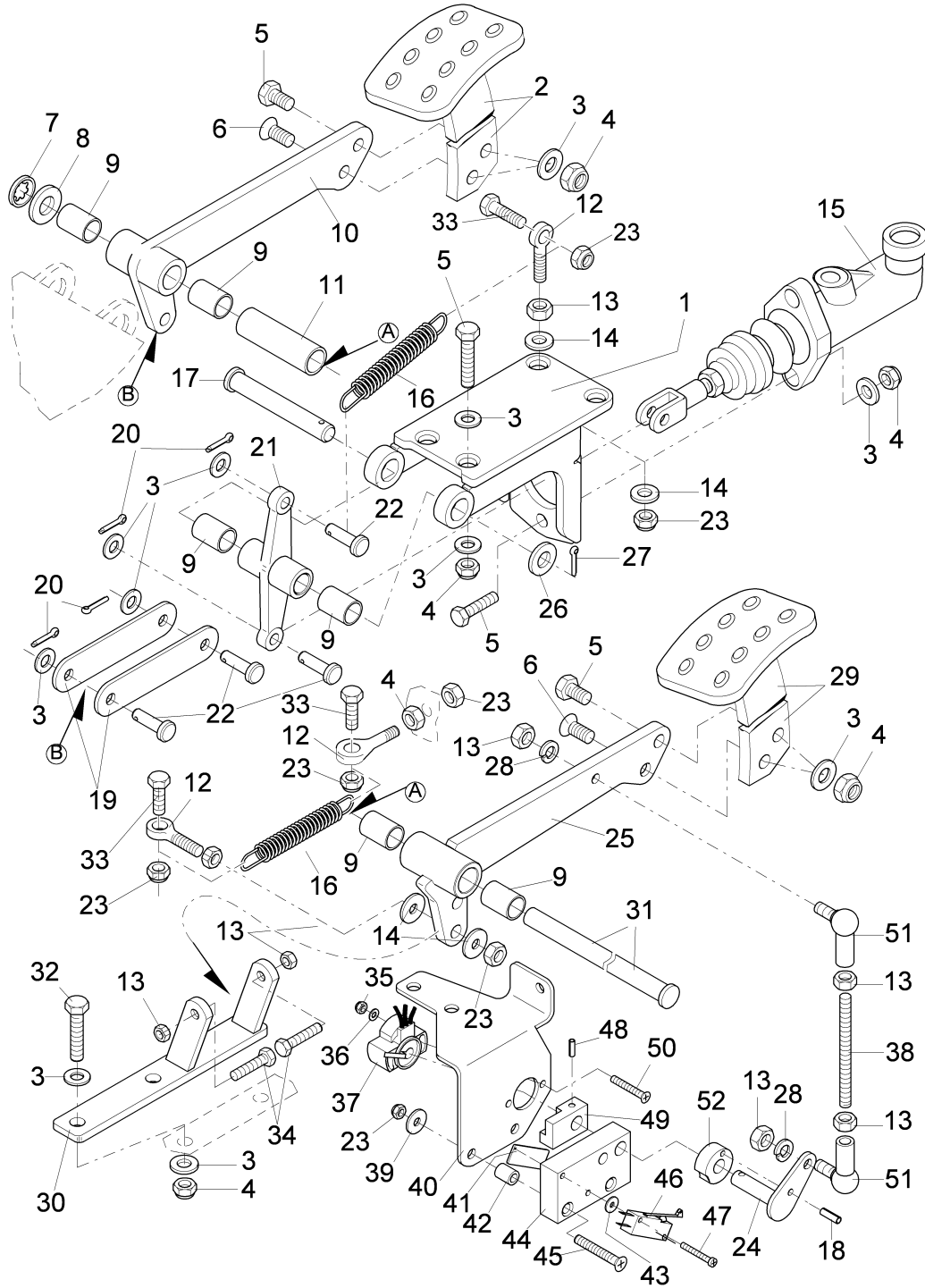
Service brake - Accelerator pedal (97118152-1) 2012-04-01 -->



Service brake - Accelerator pedal (97118152-1) 2012-04-01 -->

Item	Part number	Description	Qty.	Unit	Remarks
1	00270950	Retainer	1		
2	00270930	Pedal	1		
3	00053750	Washer	15		
4	00051510	Hex. Nut	11		
5	00053110	Hexagon screw	7		
6	01223150	Countersunk screw	2		
7	00538790	Thrust washer	1		
8	00134780	Washer	2		
9	00046560	DU-Drying socket	6		
10	00100480	Lever	2		
11	00974420	Pipe	1		
12	00101510	Eye bolt	3		
13	00053330	Hex. Nut	7		
14	00135120	Washer	6		
15	00821160	Brake cylinder	1		
16	00055620	Tension spring	2		
17	00100510	Bolt	1		
18	01091890	Dowel pin	1		
19	00974410	Mounting link	2		
20	00054860	Cotter pin	3		
21	00974390	Lever	1		
22	00706190	Clevis pin	3		
23	00051520	Hex. Nut	7		
24	00975490	Bolt	1		
25	00100480	Lever	2		
26	00134780	Washer	1		
27	00961520	Cotter pin	1		
28	00053400	Lock washer	2		
29	00974380	Pedal	1		
30	00974350	Plate	1		
31	00974430	Bolt	1		
32	00054690	Hexagon screw	2		
33	00053020	Hexagon screw	3		
34	00053040	Hex.bolt	2		
35	00133830	Hex. Nut	2		
36	00053710	Washer	2		

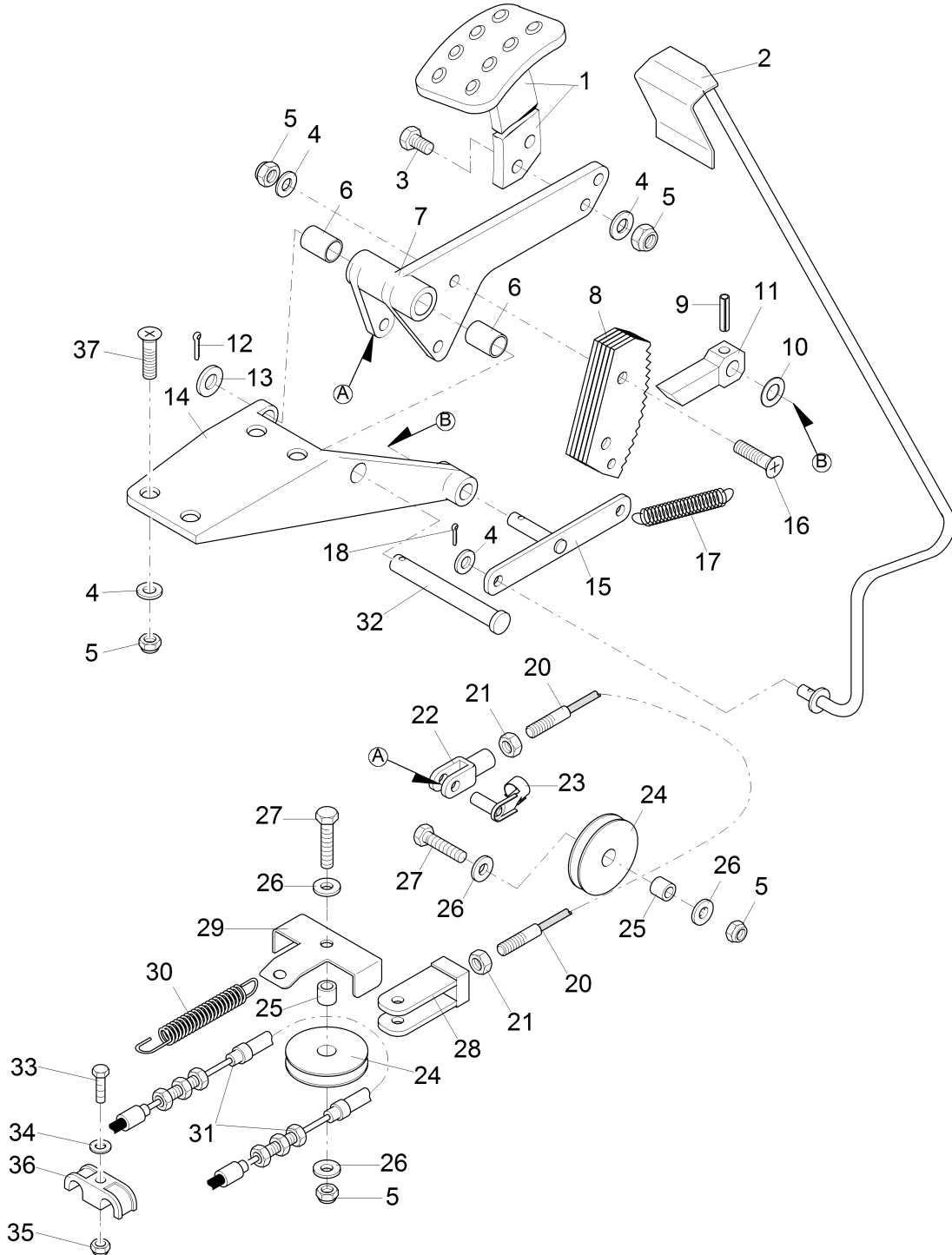
Service brake - Accelerator pedal (97118152-1) 2012-04-01 -->



Service brake - Accelerator pedal (97118152-1) 2012-04-01 -->

Item	Part number	Description	Qty.	Unit	Remarks
37	00975500	Turn angle transmitter	1		
38	00071110	Threaded rod	1		
39	00053730	Washer	1		
40	00975520	Angle	1		
41	01074840	Thread base plate	1		
42	00926770	Spacer sleeve	2		
43	00747400	Washer	2		
44	00975530	Plate	1		
45	00109500	Countersunk screw	2		
46	00975510	Micro switch	1		
47	00101580	Fillister-head screw	2		
48	00152840	Dowel pin	1		
49	00975550	Carrier	1		
51	00855580	Angle joint	2		
52	00975540	Washer	1		

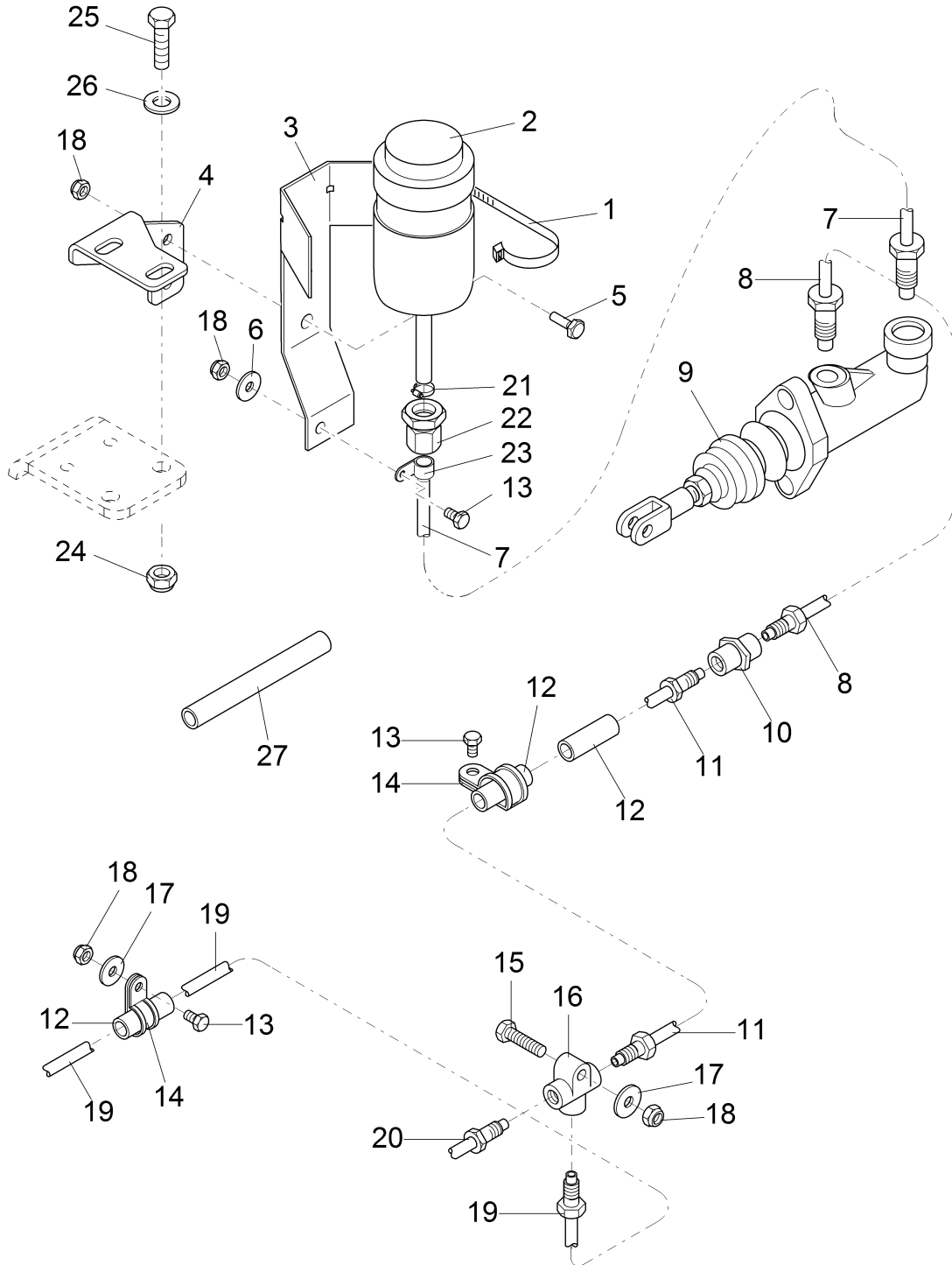
Parking brake (97118152-2) 2012-04-01 -->



Parking brake (97118152-2) 2012-04-01 -->

Item	Part number	Description	Qty.	Unit	Remarks
1	00270930	Pedal	2		
2	00980430	Rod	1		
3	00053110	Hexagon screw	2		
4	00053750	Washer	9		
5	00051510	Hex. Nut	10		
6	00046560	DU-Drying socket	2		
7	00270970	Lever	1		
8	00521210	Catch	1		
9	00057580	Dowel pin	1		
10	00046720	Adjusting washer	2		
11	00521300	Catch	1		
12	00961520	Cotter pin	1		
13	00134780	Washer	1		
14	00270980	retainer	1		
15	00974370	Bolt	1		
16	00509000	Countersunk screw	2		
17	00121330	Tension spring	1		
18	00054860	Cotter pin	1		
20	00974440	Rope	1		
21	00053350	Hex. Nut	2		
22	00027110	Fork yoke	1		
23	00706030	Bolt	1		
24	00521270	Roller	2		
25	00974400	Bushing	2		
26	00042900	Washer	6		
27	00054690	Hexagon screw	2		
28	00974340	Plate	1		
29	00974450	Angle	1		
30	00055620	Tension spring	1		
31	01273680	Brake cable	1		
32	00100560	Bolt	1		
33	00053040	Hex.bolt	1		
34	00053730	Washer	1		
35	00051520	Hex. Nut	1		
36	01073420	Clamp	1		
37	00101500	Countersunk screw	4		

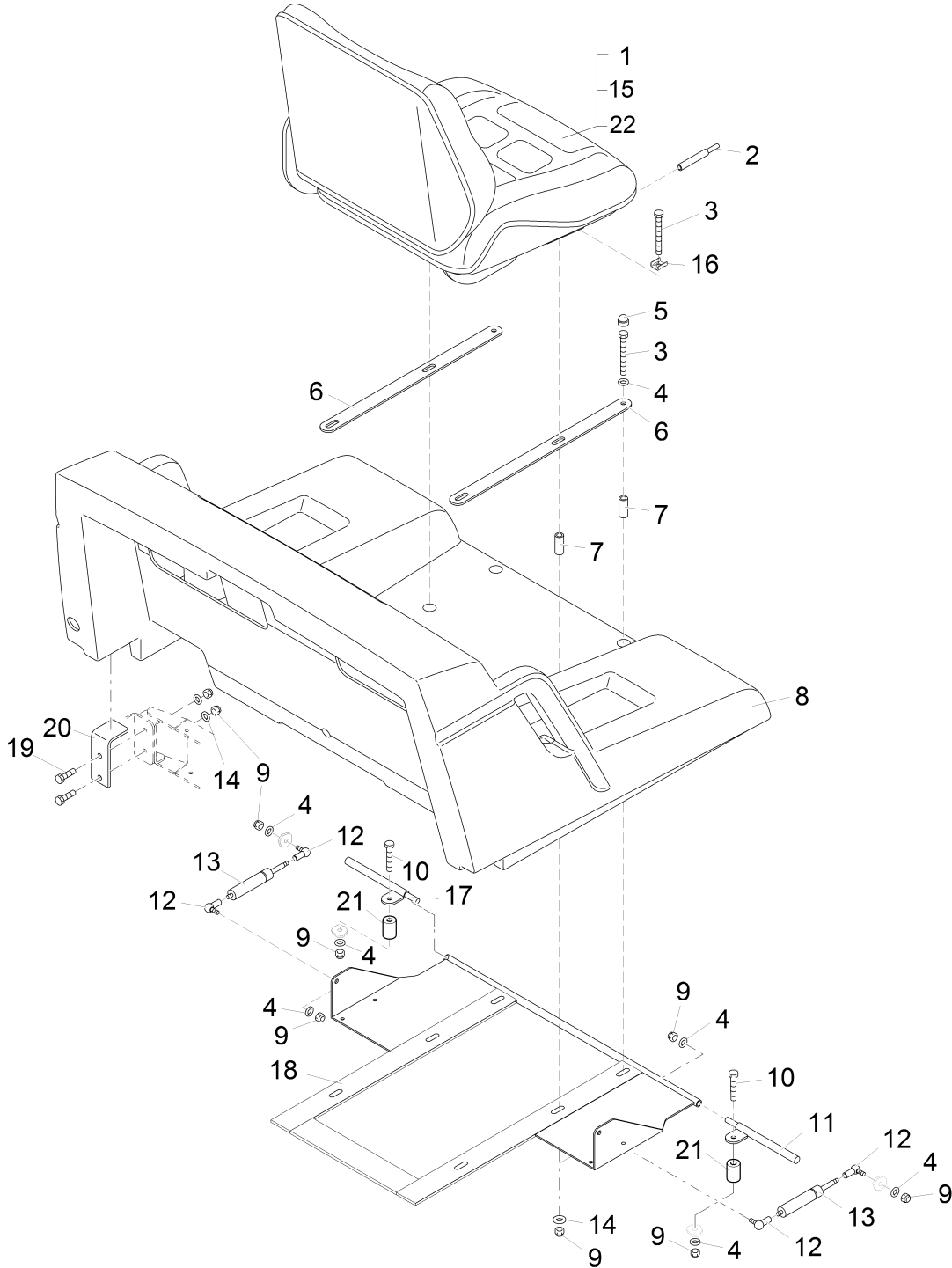
Brake air conduit scheme (97118152-3) 2012-04-01 -->



Brake air conduit scheme (97118152-3) 2012-04-01 -->

Item	Part number	Description	Qty.	Unit	Remarks
1	00967760	Cable tie	1		
2	01052880	Brake fluid tank	1		
3	---	Spare part on request	1		90361288 Angle plate
4	---	Spare part on request	1		90569625 Retainer
5	00053010	Hex.bolt	2		
6	00053730	Washer	2		
7	03011340	Brake lead	1		
8	00007850	Brake air conduit	1		
9	00821160	Brake cylinder	1		
10	00974470	Middle section	1		
11	01273700	Brake pipe	1		
12	00320500	Hose	0,040		
13	00053030	Hexagon screw	2		
14	00109470	Tube clamp	2		
15	00053290	Hexagon screw	1		
16	00862570	Distributor	1		
17	00135120	Washer	2		
18	00051520	Hex. Nut	5		
19	01273710	Brake pipe	1		
20	01273720	Brake pipe	1		
21	00529390	Hose clamp	1		
22	01052830	Reducing inset	1		
23	00100550	Clamp	1		
24	00051510	Hex. Nut	1		
25	00053100	Hexagon screw	1		
26	00053750	Washer	1		
27	00112010	Hose	0,100		

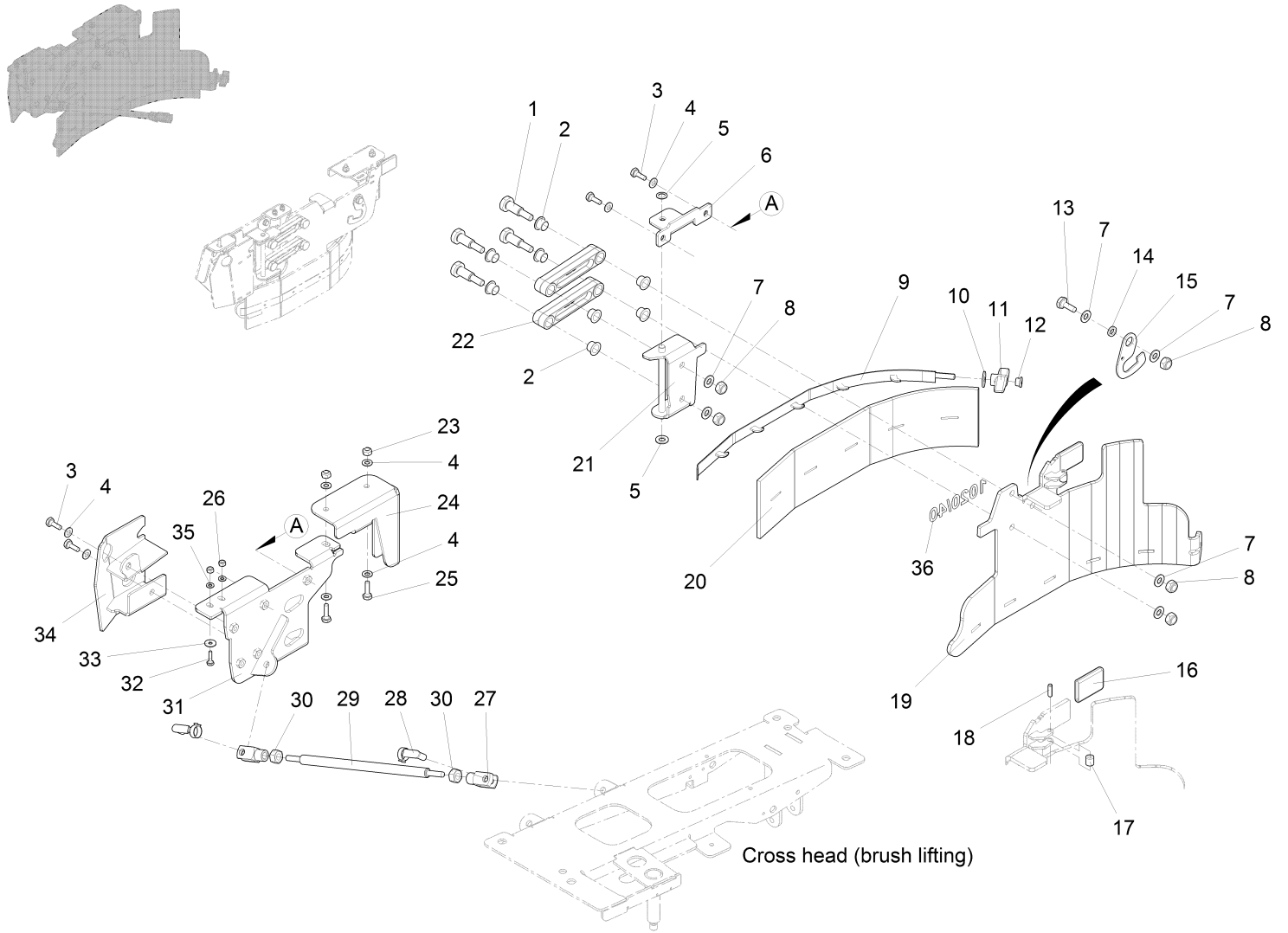
Seat group (97126445)



Seat group (97126445)

Item	Part number	Description	Qty.	Unit	Remarks
1	01275680	Driver's seat B12	1		
2	00975210	Adapter	1		
3	00557600	Hex.bolt	6		
4	00053750	Washer	10		
5	00131610	Lens cap	2		
6	00980630	Fitting strip	2		
7	00975110	Bushing	6		
8	---	Spare part on request	1		90645953 Seat console
9	00051510	Hex. Nut	12		
10	00054690	Hexagon screw	2		
11	00975190	Bolt L.H. (R.H. in travel direction!)	1		
12	00527690	Angle joint	4		
13	00975200	Gas spring	2		
14	00042900	Washer	4		
15	00041420	Seat contact switch	1		
16	---	Spare part on request	4		90503608 U-plate
17	00975180	Bolt R.H. (L.H. in travel direction!)	1		
18	00037010	Seat console	1		
19	00053110	Hexagon screw	4		
20	01177840	Angle	2		
21	01177830	Bushing	2		
22	03502560	Safety belt	1		

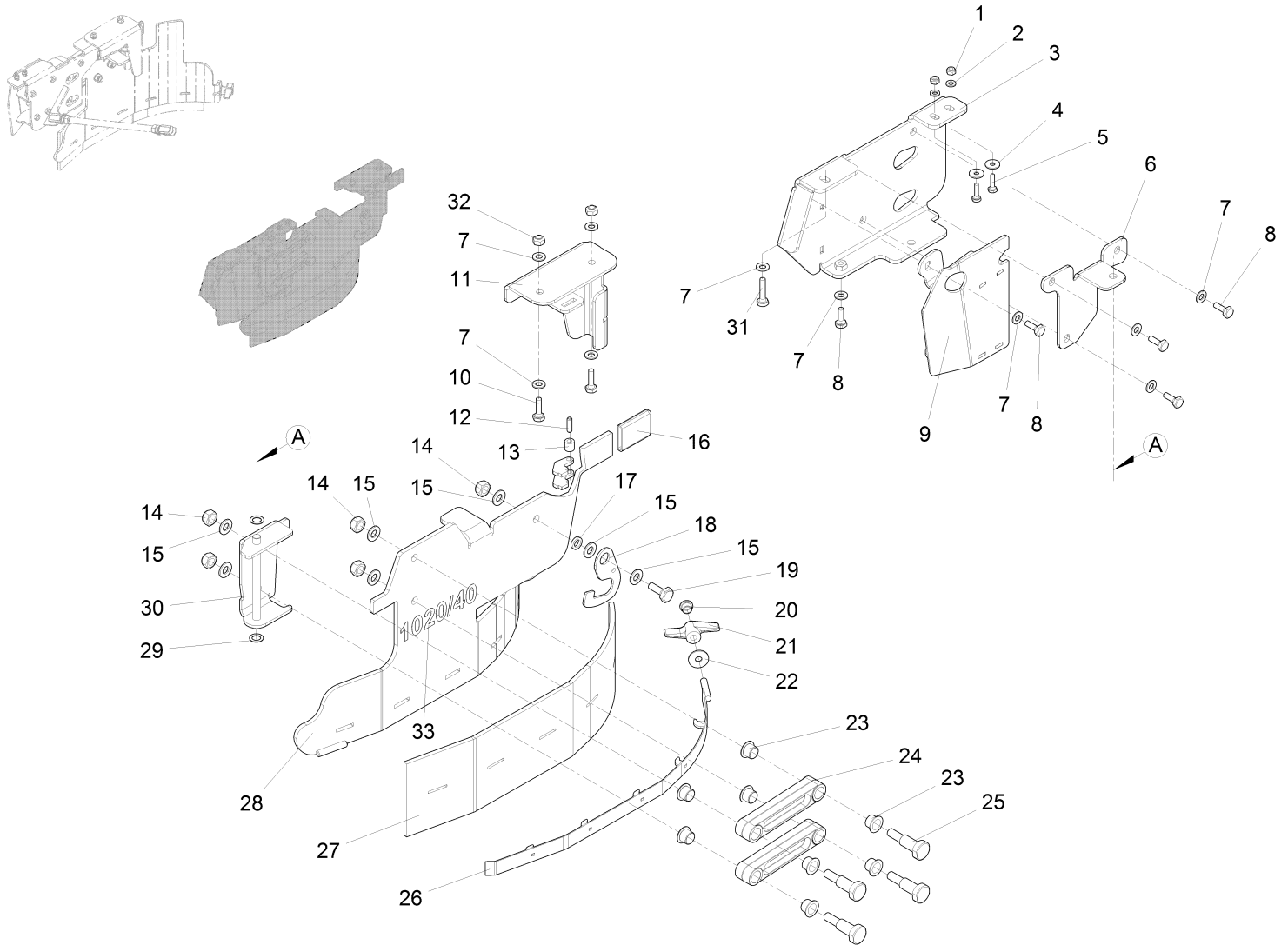
Wiper part 1 (97120273-1) 2012-04-01 -->



Wiper part 1 (97120273-1) 2012-04-01 -->

Item	Part number	Description	Qty.	Unit	Remarks
1	01073910	fitting screw	4		
2	01073860	slide bearing bush	8		
3	00053090	Hexagon screw	4		
4	00053750	Washer	8		
5	00130290	Adjusting washer	2		
6	01271190	Angle	1		
7	00053760	Washer	6		
8	00051500	Hex. Nut	5		
9	01274650	Tension band	1		
10	00042900	Washer	1		
11	00101470	Wing nut	1		
12	00902300	Drain plug	1		
13	00053160	Hexagon screw	1		
14	01074210	Bushing	1		
15	01271200	Locking hook	1		
16	01074240	Cap	1		
17	00905570	Bushing	1		
18	00046440	Dowel pin	1		
19	01271210	Side squeegee R.H.	1		
20	01271180	Squeegee strip	1		
21	01178980	Swivel arm R.H.	1		
22	01073870	lever	1		
23	00051510	Hex. Nut	2		
24	01271140	Retainer R.H.	1		
25	00053100	Hexagon screw	2		
26	00051520	Hex. Nut	5		
27	01271270	Fork head	2		
28	00557300	Bolt	2		
29	01271260	Threaded rod	1		
30	00053370	Hex. Nut	2		
31	01271220	Retainer R.H.	1		
32	00154070	Hex.bolt	2		
33	00135120	Washer	2		
34	01271160	Screen R.H.	1		
35	00053730	Washer	2		
36	---	Spare part on request	1		17207044 Decal

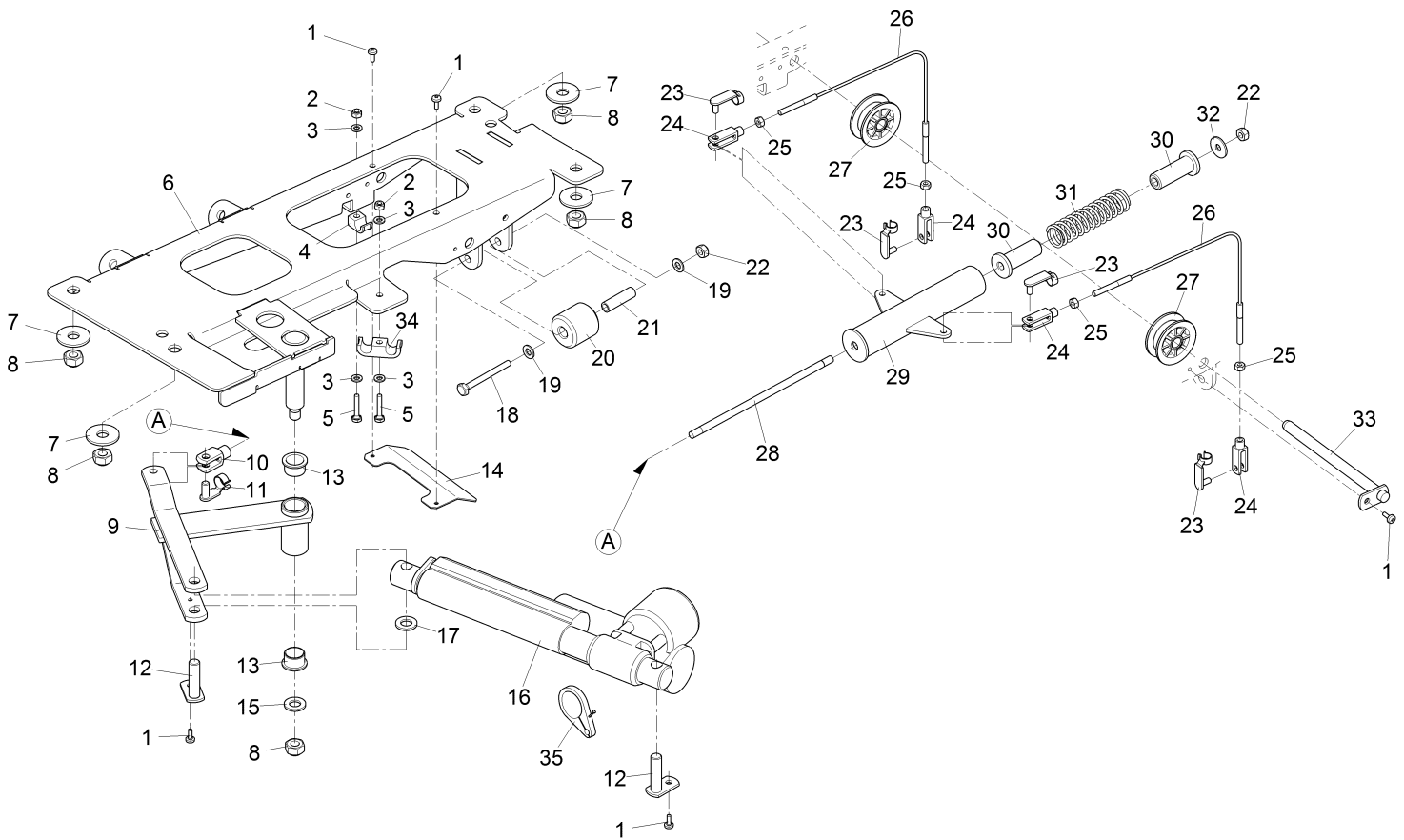
Wiper part 2 (97120273-2) 2012-04-01 -->



Wiper part 2 (97120273-2) 2012-04-01 -->

Item	Part number	Description	Qty.	Unit	Remarks
1	00051520	Hex. Nut	2		
2	00053730	Washer	2		
3	01271250	Retainer L.H.	1		
4	00135120	Washer	2		
5	00154070	Hex.bolt	2		
6	01271230	Angle L.H.	1		
7	00053750	Washer	10		
8	00053090	Hexagon screw	8		
9	01271150	Screen L.H.	1		
10	00053100	Hexagon screw	2		
11	01271130	Retainer L.H.	1		
12	00046440	Dowel pin	1		
13	00905570	Bushing	1		
14	00051500	Hex. Nut	1		
15	00053760	Washer	2		
16	01074240	Cap	1		
17	01074210	Bushing	1		
18	01271200	Locking hook	1		
19	00053160	Hexagon screw	1		
20	00902300	Drain plug	1		
21	00101470	Wing nut	1		
22	00042900	Washer	1		
23	01073860	slide bearing bush	8		
24	01073870	lever	2		
25	01073910	fitting screw	4		
26	01274650	Tension band	1		
27	01271180	Squeegee strip	1		
28	01271240	Side squeegee L.H.	1		
29	00130290	Adjusting washer	2		
30	01178930	Swivel arm L.H.	1		
31	00053110	Hexagon screw	1		
32	00051510	Hex. Nut	2		
33	---	Spare part on request	1		17207044 Decal

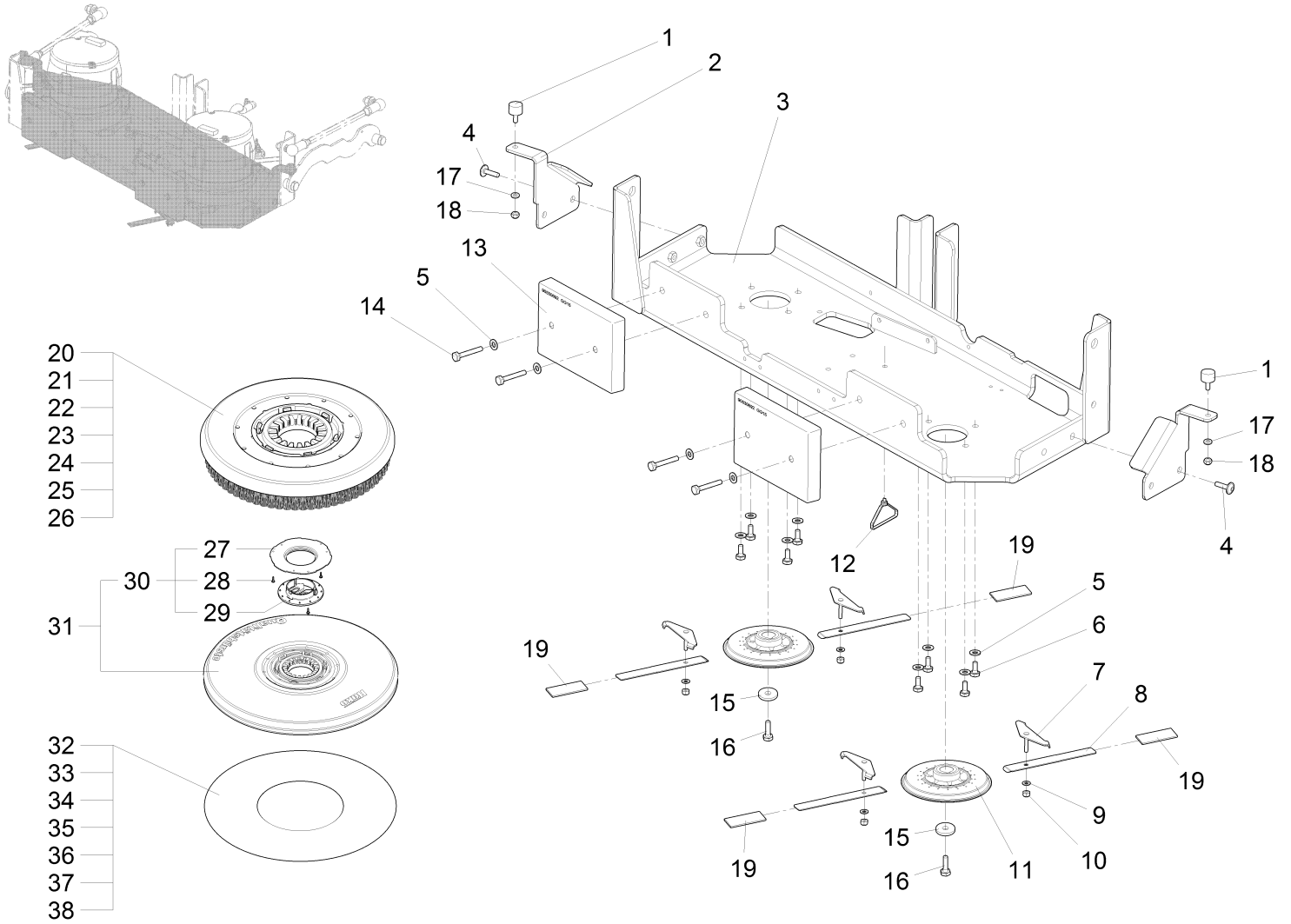
Brush lifting (97117253) 2012-04-01 -->



Brush lifting (97117253) 2012-04-01 -->

Item	Part number	Description	Qty.	Unit	Remarks
1	00959220	Screw	5		
2	00051520	Hex. Nut	2		
3	00053730	Washer	4		
4	00903270	Clamp	1		
5	00053040	Hex.bolt	2		
6	03013860	Cross beam	1		
7	00132610	Washer	4		
8	00051490	Hex. Nut	5		
9	---	Spare part on request	1		96134051 Angle
10	00151440	Fork yoke	1		
11	00151400	Bolt	1		
12	00975230	Bolt	2		
13	01273610	Slide bearing bush	2		
14	00057990	Angle plate	1		
15	00151200	Washer	1		
16	00650110	Lifting spindle	1		
17	00053770	Washer	1		
18	00557600	Hex.bolt	1		
19	00053750	Washer	2		
20	00974260	Roller	1		
21	00974250	Spacer piece	1		
22	00051510	Hex. Nut	2		
23	00851590	Bolt	4		
24	00851570	Fork yoke	4		
25	00053330	Hex. Nut	4		
26	00975240	Pull rope	2		
27	00972140	Roller	2		
28	00975460	Threaded rod	1		
29	00980730	Pipe	1		
30	00975470	Bushing	2		
31	00975480	Pressure spring	1		
32	00042900	Washer	1		
33	00975220	Bolt	1		
34	01073420	Clamp	1		
35	00962620	Clamp	1		

Brush head part 1 (97111785-1)



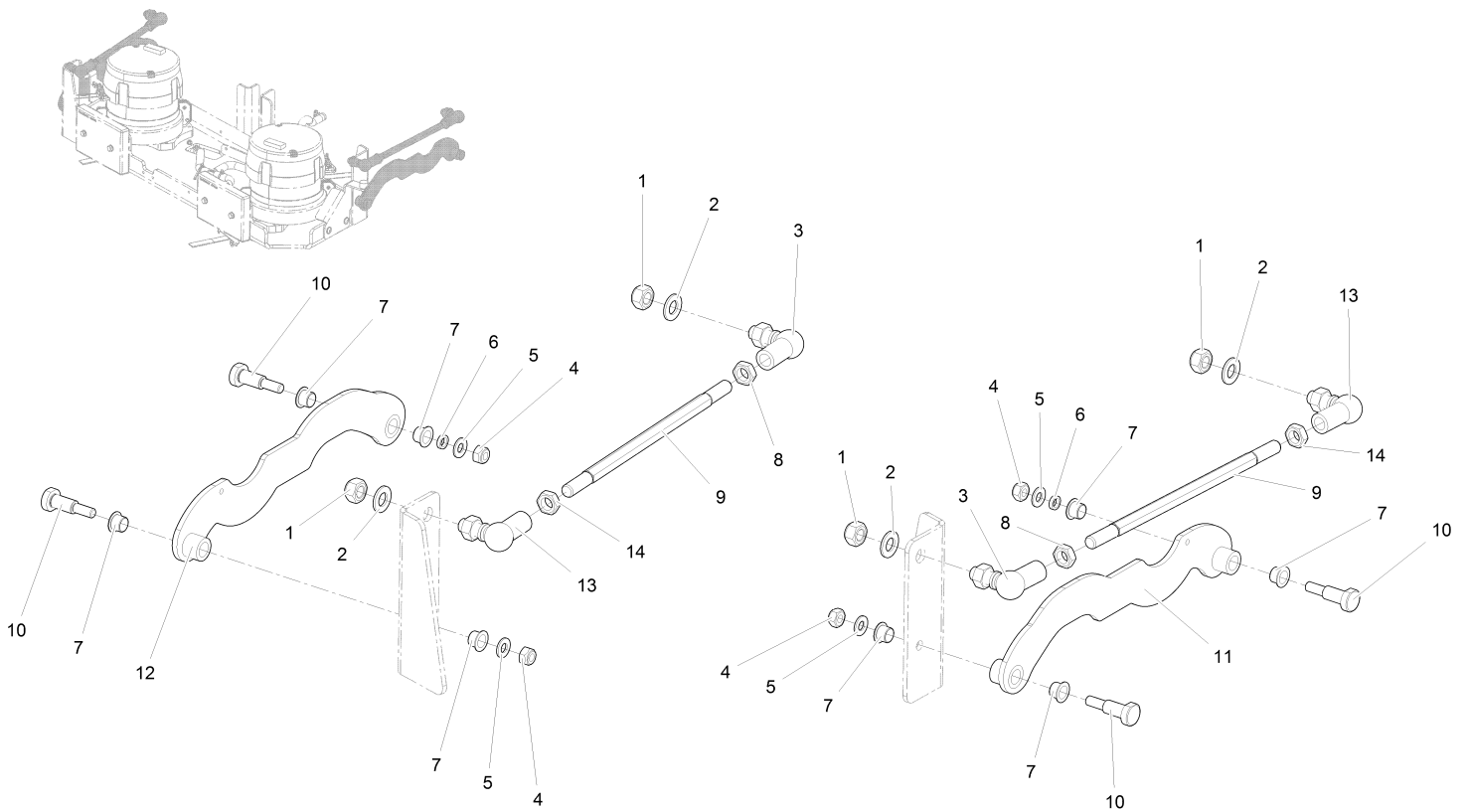
Brush head part 1 (97111785-1)

Item	Part number	Description	Qty.	Unit	Remarks
1	00854090	Stop buffer	2		
2	01271090	Angle	2		
3	03014450	Sheet metal	1		
4	01092910	Lens flange screw	4		
5	00053750	Washer	12		
6	00053090	Hexagon screw	8		
7	00952740	Angle	4		
8	00952750	Angle	4		
9	00102150	Washer	4		
10	00102140	Hex. Nut	10		
11	00512400	Carrier	2		
12	00967760	Cable tie	2		
13	---	Spare part on request	2		96118674 Weight
14	00041600	Hex.bolt	4		
15	00879170	Washer	2		
16	00025000	Hex.bolt	2		
17	00053730	Washer	2		
18	00051520	Hex. Nut	2		
19	01163580	Shrinkable tube	0,070		
20	99758700	Brush 530 mm PPN 0,5	2		Degree of soiling light to medium
21	99758900	Brush 530 mm K 901	2		Degree of soiling light to medium, structured flooring
22	99768700	5-component-brush 530	2		structured park garage flooring
23	99758800	Brush 530 mm PPN 0,8	2		Degree of soiling medium to heavy
24	99732500	Plate brush 530 SiC 6.12	2		Degree of soiling medium to heavy
25	99759000	Brush 530 mm SiC PA 6	2		Very heavy soiling and basic cleaning
26	99759100	Brush 530 mm PA 6,12	2		Extremely heavy soiling and basic cleaning
27	00681500	Center-lock, lower part	1		
28	00961490	Screw	3		
29	00681490	Center-lock, upper part	1		
30	00712010	Center-lock, cpl.	1		incl. pos. 27-29
31	99759200	Pad holder	1		
32	99759305	Carton pad red 21" (5pcs)	1		Light soiling, red
33	99769405	"Carton Pad, blue 21"" (5pcs)"	1		Degree of light and medium soiling and maintenance cleaning, blue

Brush head part 1 (97111785-1)

Item	Part number	Description	Qty.	Unit	Remarks
34	99769505	"Carton Pad, green 21"" (5pcs)"	1		Medium soiling and maintenance cleaning, green
35	99759405	Carton pad brown 21" (5pcs)	1		Maintenance cleaning, brown
36	99759505	Carton pad black 21" (5pcs)	1		Basic cleaning and heavy soiling, black
37	99708900	Poly-Pad 53 cm	1		Limited available!
38	99708902	"Micro-fibre pad 21""	1		

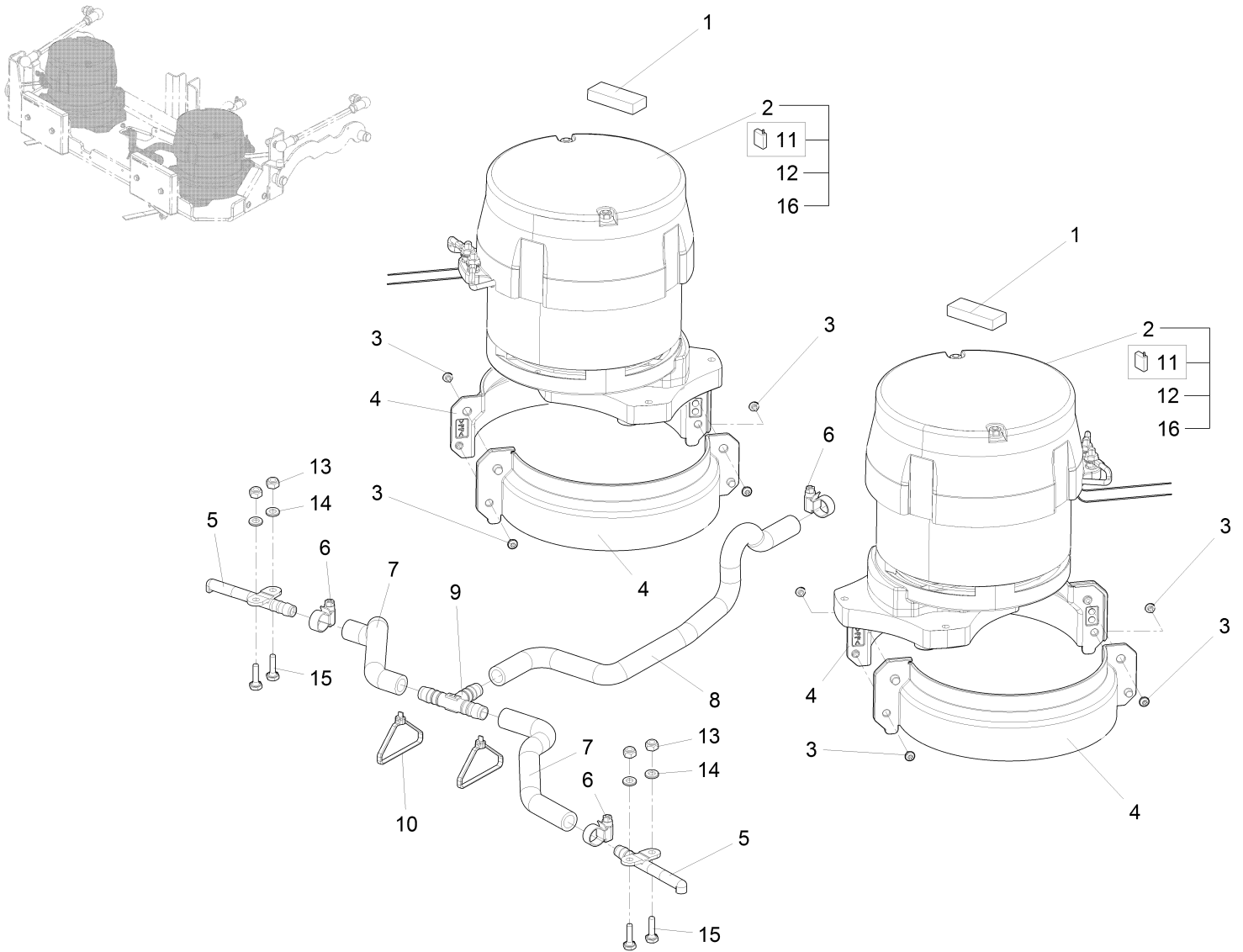
Brush head part 2 (97111785-2)



Brush head part 2 (97111785-2)

Item	Part number	Description	Qty.	Unit	Remarks
1	00044420	Hex. Nut	4		
2	00053780	Washer	4		
3	00101440	Hinged joint	2		
4	01019660	Hex. Nut	4		
5	01140500	Washer	4		
6	01178670	Bushing	2		
7	01073860	slide bearing bush	8		
8	00101480	Hex. Nut	2		
9	01271120	Threaded rod	2		
10	01073910	fitting screw	4		
11	01271100	Truss L.H.	1		
12	01271110	Truss R.H.	1		
13	00522370	Hinged joint	2		
14	00053740	Hex. Nut	2		

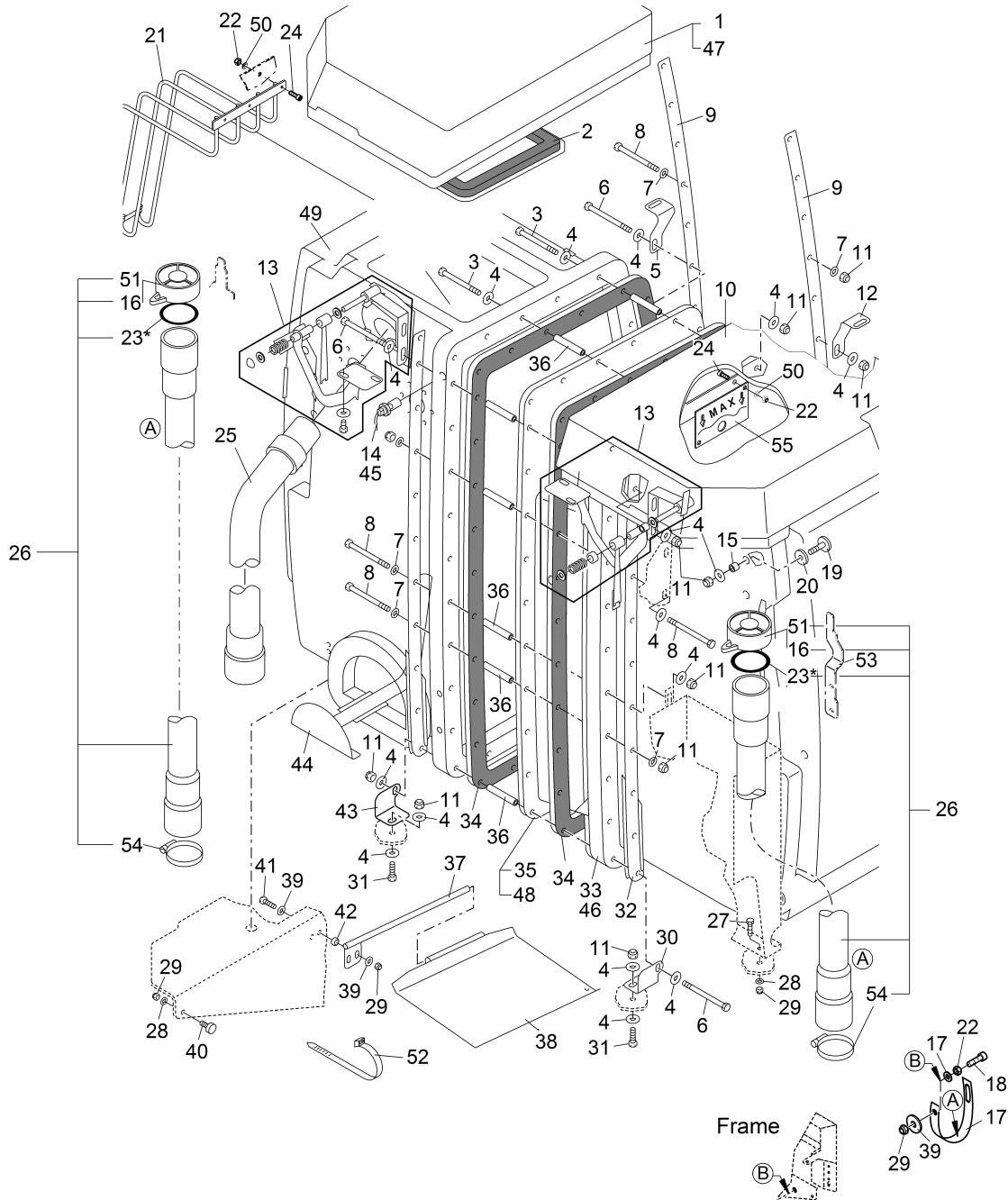
Brush head part 3 (97111785-3)



Brush head part 3 (97111785-3)

Item	Part number	Description	Qty.	Unit	Remarks
1	01110920	Foam rubber	0,050		
2	01271070	Motor Amer 710W 36V	2		
3	01170850	Screw	8		
4	01271080	Splash guard	4		
5	00861700	Spray tube	2		
6	00074300	Hose clamp	3		
7	00112010	Hose	0,200		
8	00112010	Hose	0,400		
9	00976160	T-piece	1		
10	00967760	Cable tie	2		
11	01274230	Carbon brush	1		
12	01274300	Carbon brush housing	1		
13	00102140	Hex. Nut	4		
14	00102150	Washer	4		
15	00854190	Hexagon screw	4		
16	01277040	Rotary shaft seal	1		on gear's output side

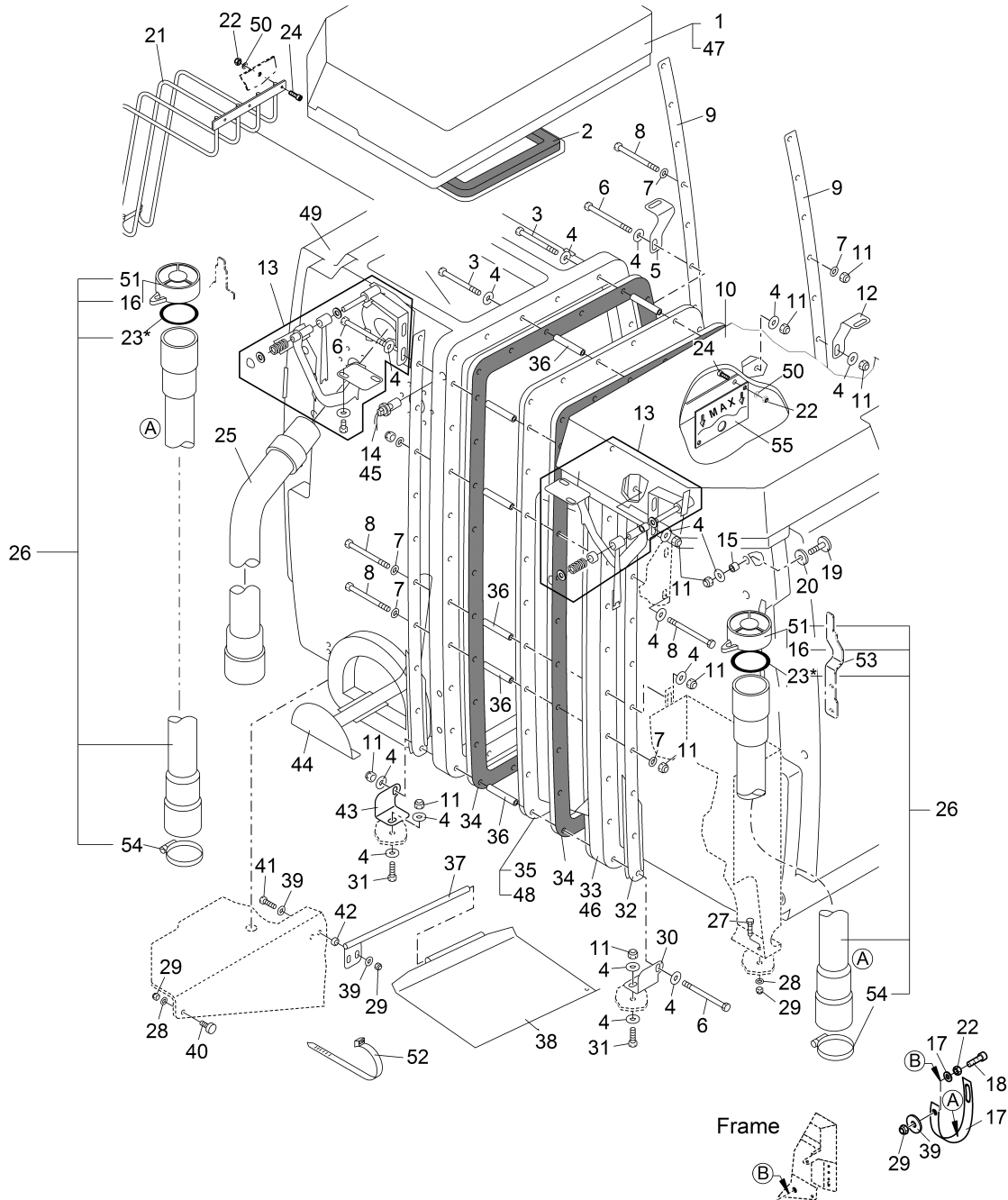
Hopper Flexible wall/Fast wall (97127161)



Hopper Flexible wall/Fast wall (97127161)

Item	Part number	Description	Qty.	Unit	Remarks
1	03009140	Cover L.H. grey	1		
2	00980710	Seal	2		
3	00053140	Hex.bolt	8		
4	00042900	Washer	32		
5	00975400	Angle	1		
6	00504590	Hex.bolt	4		
7	00053750	Washer	31		
8	00053150	Hex.bolt	13		
9	00246230	Prop	2		
10	03009150	Cover R.H. grey	1		
11	00051510	Hex. Nut	32		
12	00975390	Angle	1		
13	97042568	Cover hinge	Page	48	
14	00959650	Float switch	1		
15	01177640	Bushing	1		
16	00108650	Fillister-head screw	4		
17	01070570	Rubber gasket	2		
18	01143070	Socket head screw	2		
19	00975350	Plate	1		
20	00975410	Seal	1		
21	00980910	Handle	1		
22	00102140	Hex. Nut	7		
23	01177960	O-Ring	2		
24	00501430	Socket head screw	7		
25	00035080	Hose	1		
26	00035720	Hose	2		incl. pos. 23,51,54,56
27	00053030	Hexagon screw	2		
28	00053730	Washer	5		
29	00051520	Hex. Nut	8		
30	00975370	Angle	1		
31	00054690	Hexagon screw	2		
32	00246240	Prop	2		
33	---	Spare part on request			96144563 Fresh water tank
34	00980700	Seal	2		
35	00035060	Membran wall	1		

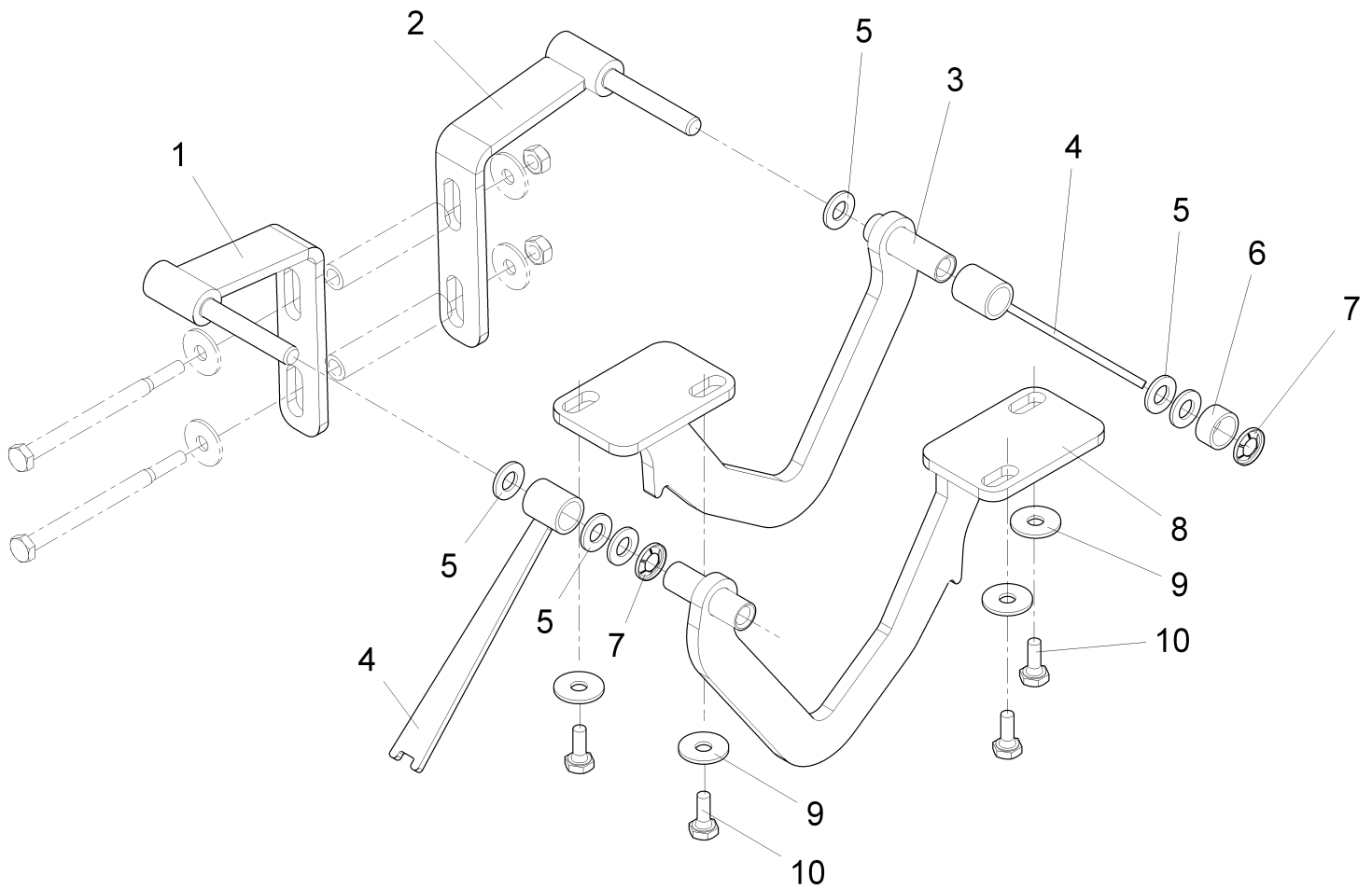
Hopper Flexible wall/Fast wall (97127161)



Hopper Flexible wall/Fast wall (97127161)

Item	Part number	Description	Qty.	Unit	Remarks
36	00975360	Pipe	29		
37	01177650	Rod	1		
38	00980680	Sheet metal	1		
39	00135120	Washer	7		
40	00121740	Stop buffer	1		
41	00053290	Hexagon screw	4		
42	00862430	Bushing	2		
43	00975380	Angle	1		
44	00980690	Pipe	1		
45	00903170	Tab	2		
46	01051840	Flange	1		
47	00865630	Sealing tape	0,020		
48	00034990	Fixed wall	1		
49	---	Spare part on request	1		96144589 Dirt water tank
50	00854210	Washer	7		
51	00142230	Cover	2		
52	00967760	Cable tie	2		
53	00980810	Angle	1		
54	00522160	Hose clamp	2		
55	01177660	Water level indicator	1		

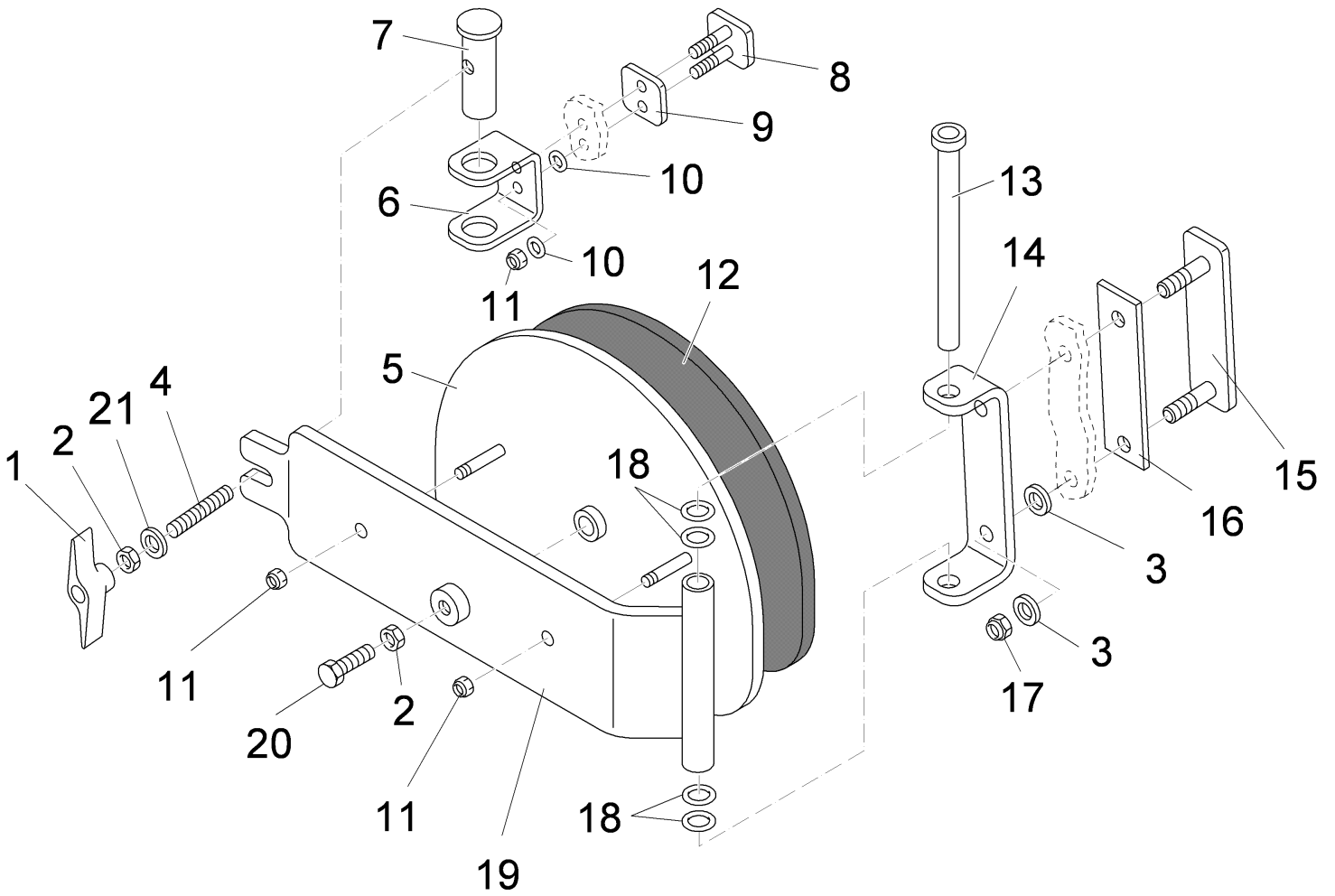
Cover hinge (97042568)



Cover hinge (97042568)

Item	Part number	Description	Qty.	Unit	Remarks
1	00976190	Support	1		
2	00976180	Support	1		
3	00980860	Handle	1		
4	00976200	Catch	2		
5	00053760	Washer	6		
6	00104140	Bushing	1		
7	00862520	Thrust washer	2		
8	00980840	Handle	1		
9	00042900	Washer	4		
10	00553690	Hex.bolt	4		

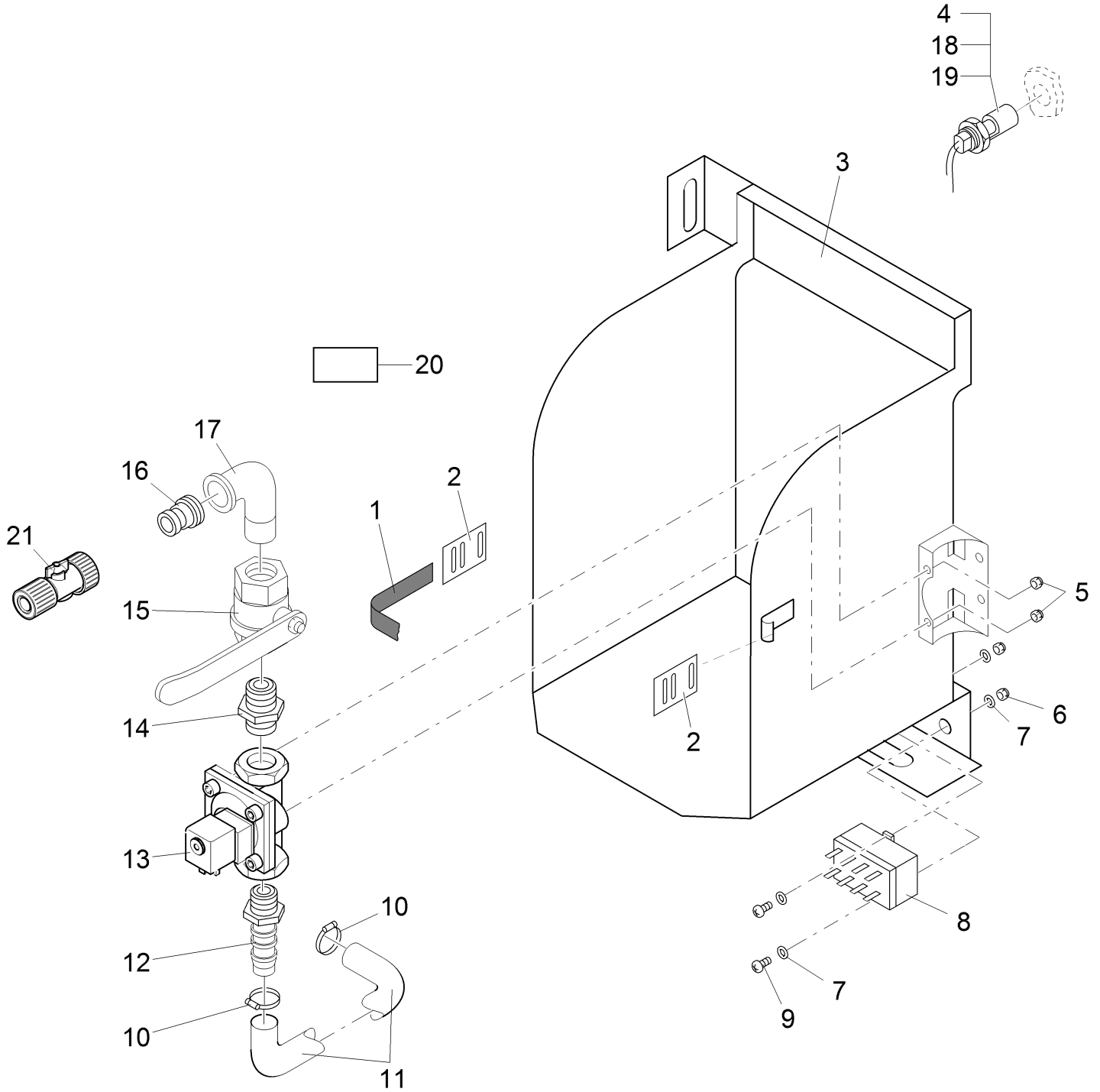
Flap (Hopper) (97042535)



Flap (Hopper) (97042535)

Item	Part number	Description	Qty.	Unit	Remarks
1	00101470	Wing nut	1		
2	00053350	Hex. Nut	2		
3	00053750	Washer	4		
4	00902600	Threaded bolt	1		
5	00980820	Flap	1		
6	00976090	Angle	1		
7	00976100	Bolt	1		
8	00975560	Bolt	1		
9	00976070	Seal	1		
10	00053730	Washer	4		
11	00051520	Hex. Nut	4		
12	00975600	Seal	1		
13	00975590	Bolt	1		
14	00976110	Angle	1		
15	00975570	Plate	1		
16	00976080	Seal	1		
17	00051510	Hex. Nut	2		
18	00557340	Adjusting washer	4		
19	00975580	Handle	1		
20	00133700	Hexagon screw	1		
21	00042900	Washer	1		

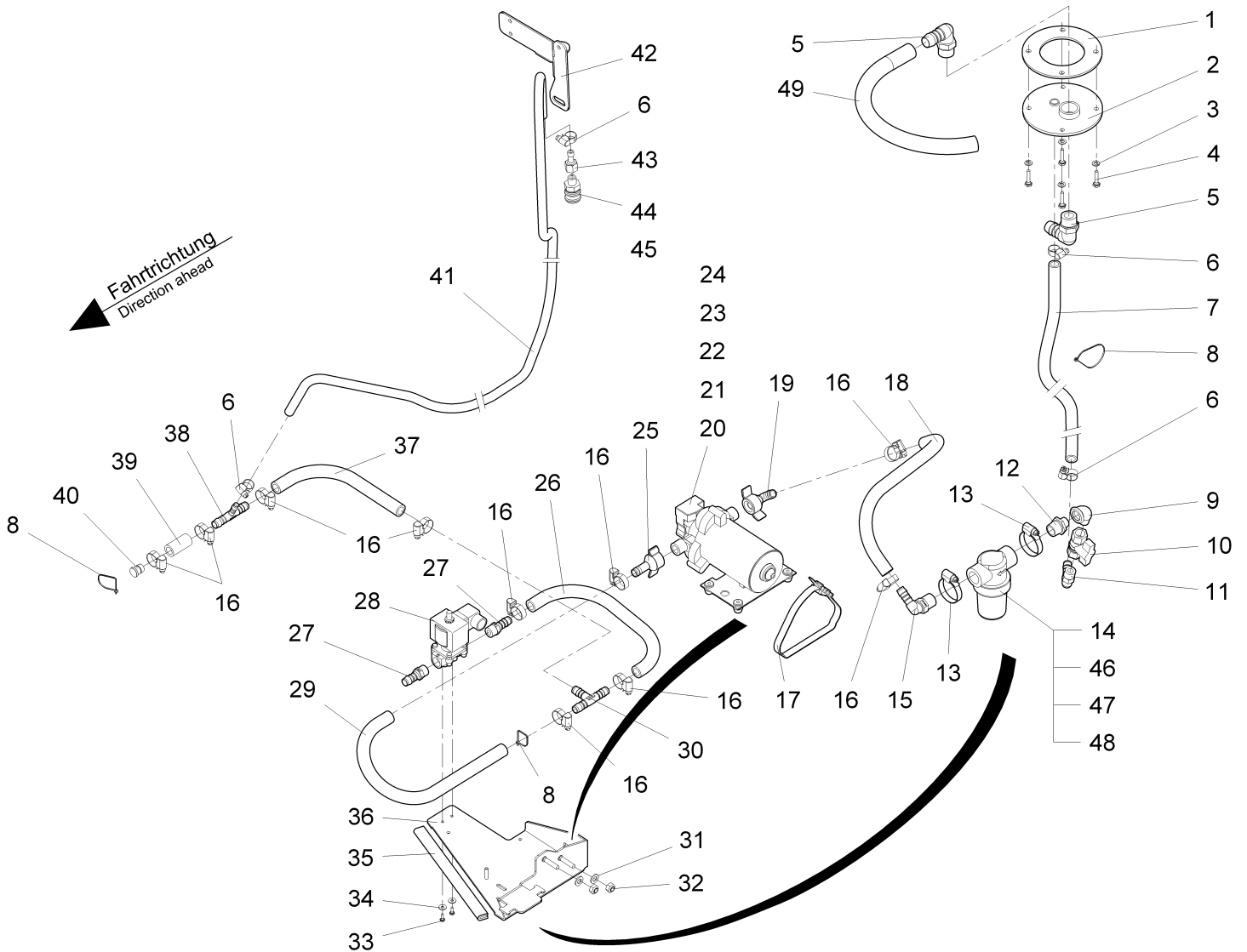
Automatic load (97075220 7580-13)



Automatic load (97075220 7580-13)

Item	Part number	Description	Qty.	Unit	Remarks
1	00059890	Tightening strap	1		
2	00109580	Bracket	2		
3	03009380	Retainer	1		
4	00959650	Float switch	1		
5	00051340	Hex. Nut	2		
6	00022200	Hex. Nut	2		
7	00553740	Washer	4		
8	00059550	Relay	1		
9	00535780	Fillister-head screw	2		
10	00874590	Hose clamp	2		
11	00671820	Hose	0,500		
12	01070650	Screwed plug	1		
13	00651240	Electrovalve	1		
14	00521120	Double nibble	1		
15	00130600	Ball tap	1		
16	00523740	Equipment piece	1		
17	00130670	Angle	1		
18	00083640	Female-housing 1-pole Positive Lock	2		
19	00559670	Socket-cont. Pos. Lock 6,3x0,8 (0,5-1,5)	2		
20	03007630	Sealing band	0,400		
21	01178000	Adjusting stop	1		

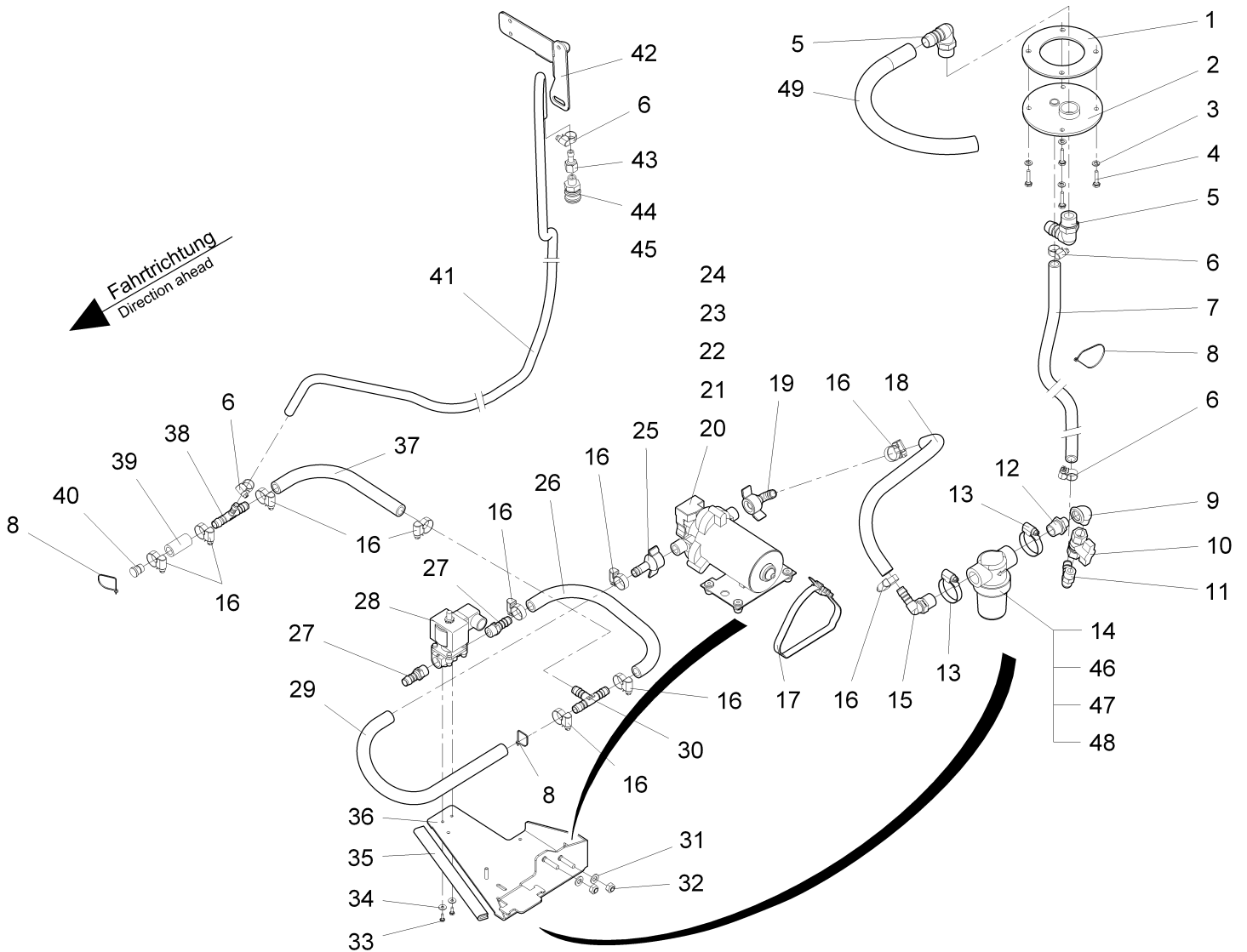
Water circulation (97115448)



Water circulation (97115448)

Item	Part number	Description	Qty.	Unit	Remarks
1	00976130	Seal	1		
2	00976120	Plate	1		
3	00053400	Lock washer	4		
4	00053030	Hexagon screw	4		
5	00059660	Angle socket	2		
6	00074300	Hose clamp	4		
7	00171030	Hose	0,690		
8	00121150	Cable tie	2		
9	01015360	Angle	1		
10	00952760	Ball tap	1		
11	00020020	Angle socket	1		
12	00521140	Double nipple	1		
13	01071810	Hose clamp	2		
14	01072850	Filter	1		
15	00971440	Angle socket	1		
16	01076220	Hose clamp	8		
17	01073340	Cable tie	1		
18	00200170	PVC hose	0,370		
19	00154140	Screwed angle fitting	1		
20	00543750	Pump	1		
21	00559670	Socket-cont. Pos. Lock 6,3x0,8 (0,5-1,5)	1		
22	00083640	Female-housing 1-pole Positive Lock	1		
23	00083650	Male-housing 1-pole FASTIN-ON 6,3	1		
24	00903190	Tab	1		
25	01071450	Straight screw connection	1		
26	00200170	PVC hose	0,350		
27	00976140	Screwed plug	2		
28	01071000	Electrovalve	1		
29	00200170	PVC hose	0,370		
30	00976160	T-piece	1		
31	00053750	Washer	2		
32	00051510	Hex. Nut	2		
33	00058580	Hex.bolt	2		
34	00557150	Washer	2		
35	00161240	Edge protection	0,240		
36	---	Spare part on request	1		96128533 Retainer

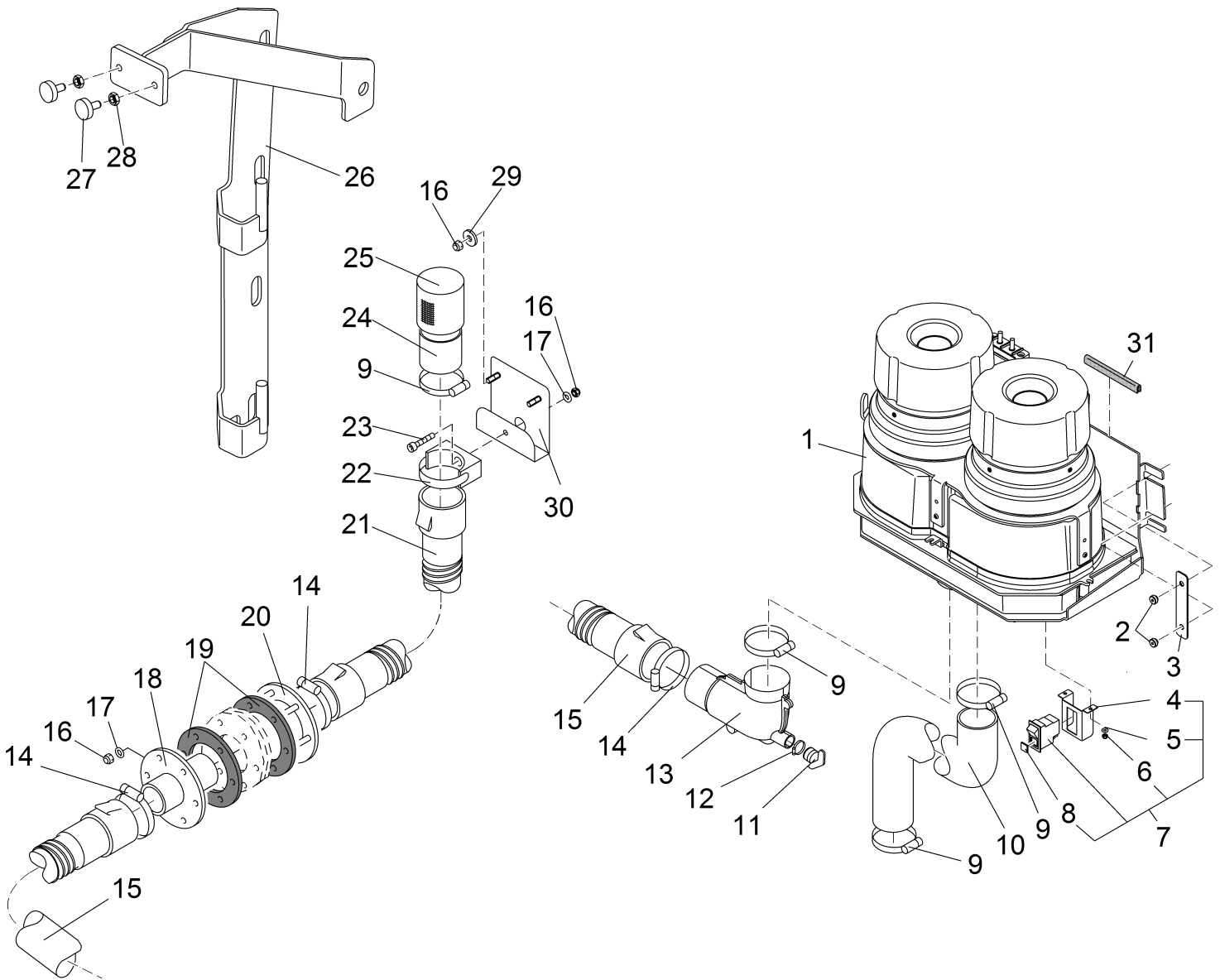
Water circulation (97115448)



Water circulation (97115448)

Item	Part number	Description	Qty.	Unit	Remarks
37	00200170	PVC hose	0,240		
38	01073020	T-piece	1		
39	00200170	PVC hose	0,040		
40	---	Spare part on request	1		90582438 Bolt
41	00562480	Spiral hose	1,850		
42	01276120	Retainer	1		
43	00552600	Hose nipple	1		
44	00552590	Quick hitch	1		
45	03007630	Sealing band	1,300		
46	01071010	Filter insert	1		
47	01072830	Sealing ring	1		
48	01072840	Straining cap	1		
49	00431370	Pressure hose	0,400		

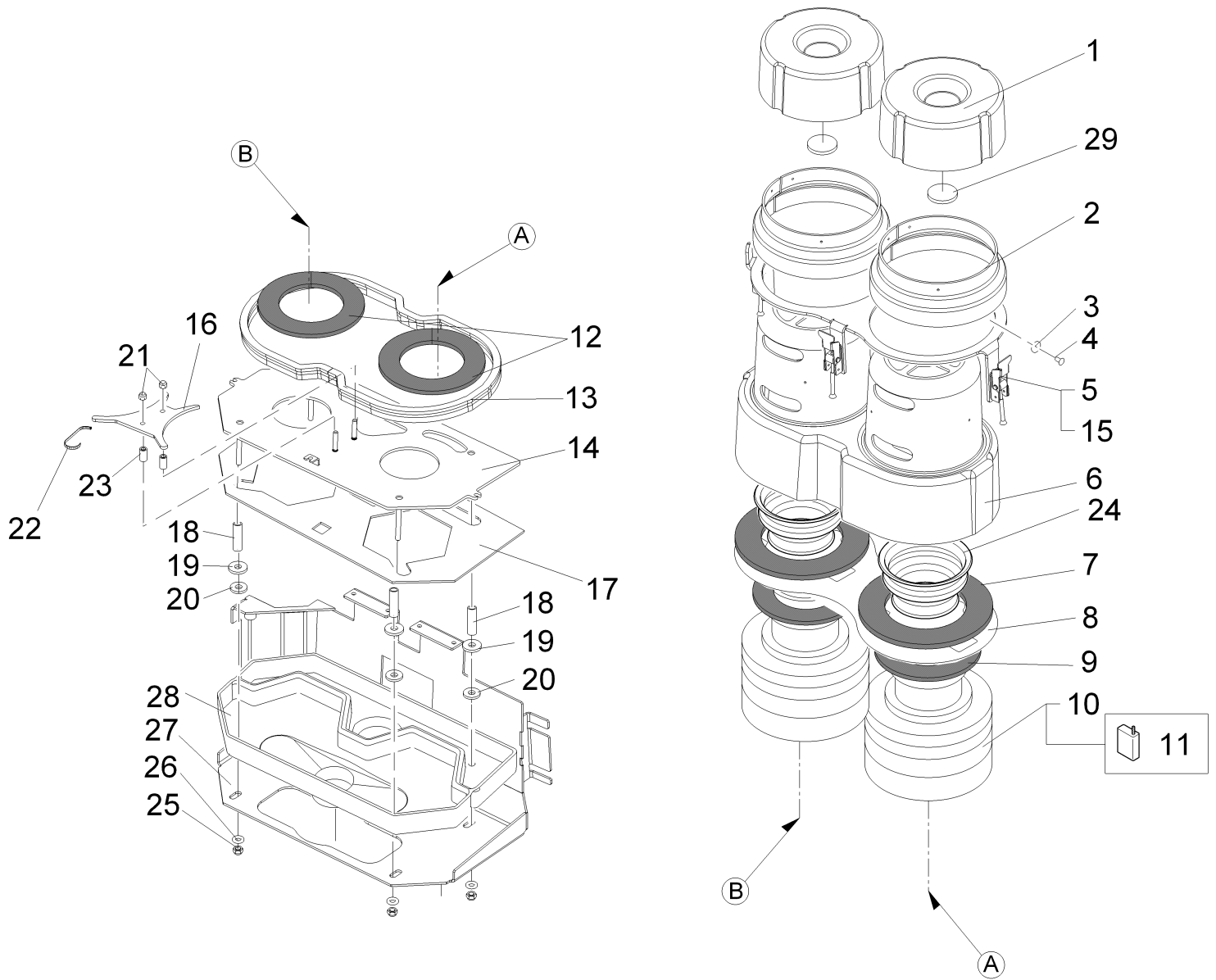
Suction unit (97075337)



Suction unit (97075337)

Item	Part number	Description	Qty.	Unit	Remarks
1	03010560	Aspirator	Page	60	
2	00903210	Knurled nut	2		
3	01177700	Sheet metal	1		
4	00952770	Retainer	1		
5	00053710	Washer	2		
6	00133830	Hex. Nut	2		
7	00009050	Retool kit SWITCH filling HM B 1100	1		see circular letter KUD 32-11.01.2008
8	01060610	Symbol GREEN	1		
9	00732130	Hose clamp	2		
10	00431380	Hose	1		
11	00054560	Valve	1		
12	00733160	Hose clamp	1		
13	01070530	Arc	1		
14	00522160	Hose clamp	4		
15	00770500	Hose	1		
16	00051520	Hex. Nut	11		
17	00053730	Washer	7		
18	01070540	Pipe	1		
19	00976260	Seal	1		
20	00976220	Flange	1		
21	00321090	Hose	1		
22	00522150	Pipe clamp	1		
23	00501430	Socket head screw	1		
24	01070550	Pipe	1		
25	01070520	Filter screen	1		
26	01177690	Retainer	1		
27	00127470	Buffer	2		
28	00053330	Hex. Nut	6		
29	00135120	Washer	4		
30	01070560	Support	1		
31	00161240	Edge protection	0,120		

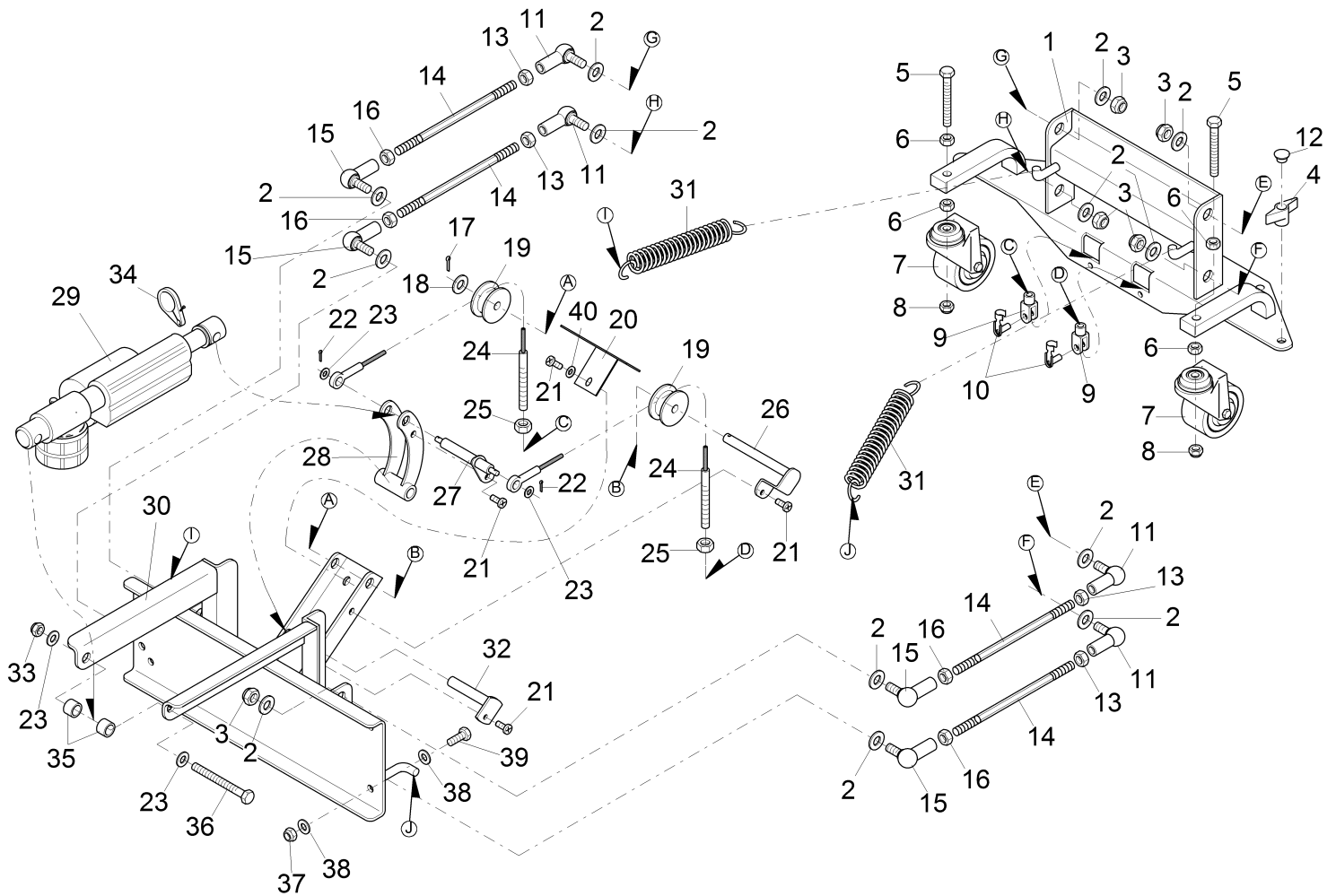
Aspirator (03010560)



Aspirator (03010560)

Item	Part number	Description	Qty.	Unit	Remarks
1	01070600	Hood	2		
2	01070620	Ring	2		
3	00553740	Washer	8		
4	00131600	Rivet	8		
5	01070760	Sheet metal	1		Only for HKM B 1100 (until ser.no.: 7580.02.1.0570.5)
6	01070610	Covering	1		
7	01070580	Seal	2		
8	01076820	Sheet metal	1		
9	01070590	Seal	2		
10	00911380	Turbine	2		
11	00049810	Carbon brush	2		
12	00130570	Seal	2		
13	00752350	Edge protection	1,060		
14	01076830	Sheet metal	1		
15	01079340	Sheet metal	1		For HKM B 1100 (from ser.no.: 7580.02.1.0571.5) aswell as HKM B 1050 and HKM B310 R
16	01177680	Plate	1		
17	01070640	Gasket	1		
18	01177670	Pipe	4		
19	00074230	Washer	4		
20	00100720	Washer	4		
21	00051520	Hex. Nut	2		
22	00967760	Cable tie	2		
23	---	Spare part on request	2		90567454 Pipe
24	01178490	Connection	2		
25	00051510	Hex. Nut	4		
26	00053750	Washer	4		
27	01070630	sheet metal	1		
28	01073180	Tub	1		
29	01178510	Gasket	2		

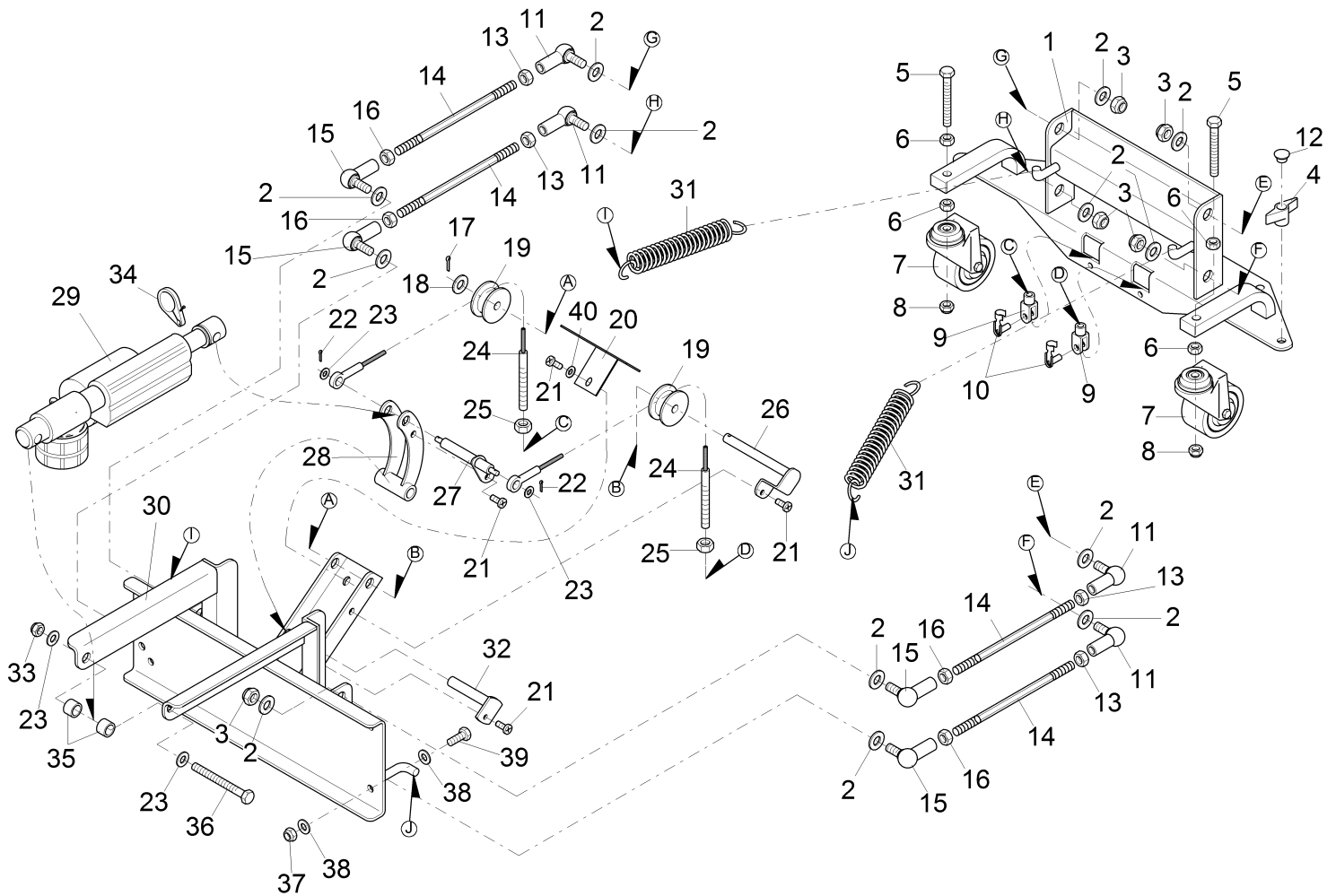
Lifting assy for suction (97042345)



Lifting assy for suction (97042345)

Item	Part number	Description	Qty.	Unit	Remarks
1	00910170	Support	1		
2	00053780	Washer	10		
3	00044420	Hex. Nut	9		
4	00101470	Wing nut	4		
5	00864080	Hex.bolt	2		
6	00053360	Hex. Nut	4		
7	00471600	Steering roller	2		Caution! New version! Please change all rollers when different!
8	00051500	Hex. Nut	2		
9	00851570	Fork yoke	2		
10	00851590	Bolt	2		
11	00101440	Hinged joint	4		
12	00902300	Drain plug	4		
13	00101480	Hex. Nut	4		
14	00974320	Threaded rod	4		
15	00522370	Hinged joint	4		
16	00053740	Hex. Nut	4		
17	00553580	Cotter pin	1		
18	00053770	Washer	1		
19	00972140	Roller	2		
20	00972160	Angle	1		
21	00959220	Screw	4		
22	00534540	Cotter pin	2		
23	00053730	Washer	4		
24	00972150	Pull of the rope	2		
25	00053330	Hex. Nut	2		
26	00972120	Bolt	1		
27	00972090	Bolt	1		
28	00972100	Pipe	1		
29	00650200	Lifting spindle	1		
30	00910160	Support	1		
31	00522290	Tension spring	2		
32	00972110	Bolt	1		
33	00051490	Hex. Nut	1		
34	00962620	Clamp	1		
35	00972130	Spreader tube	2		

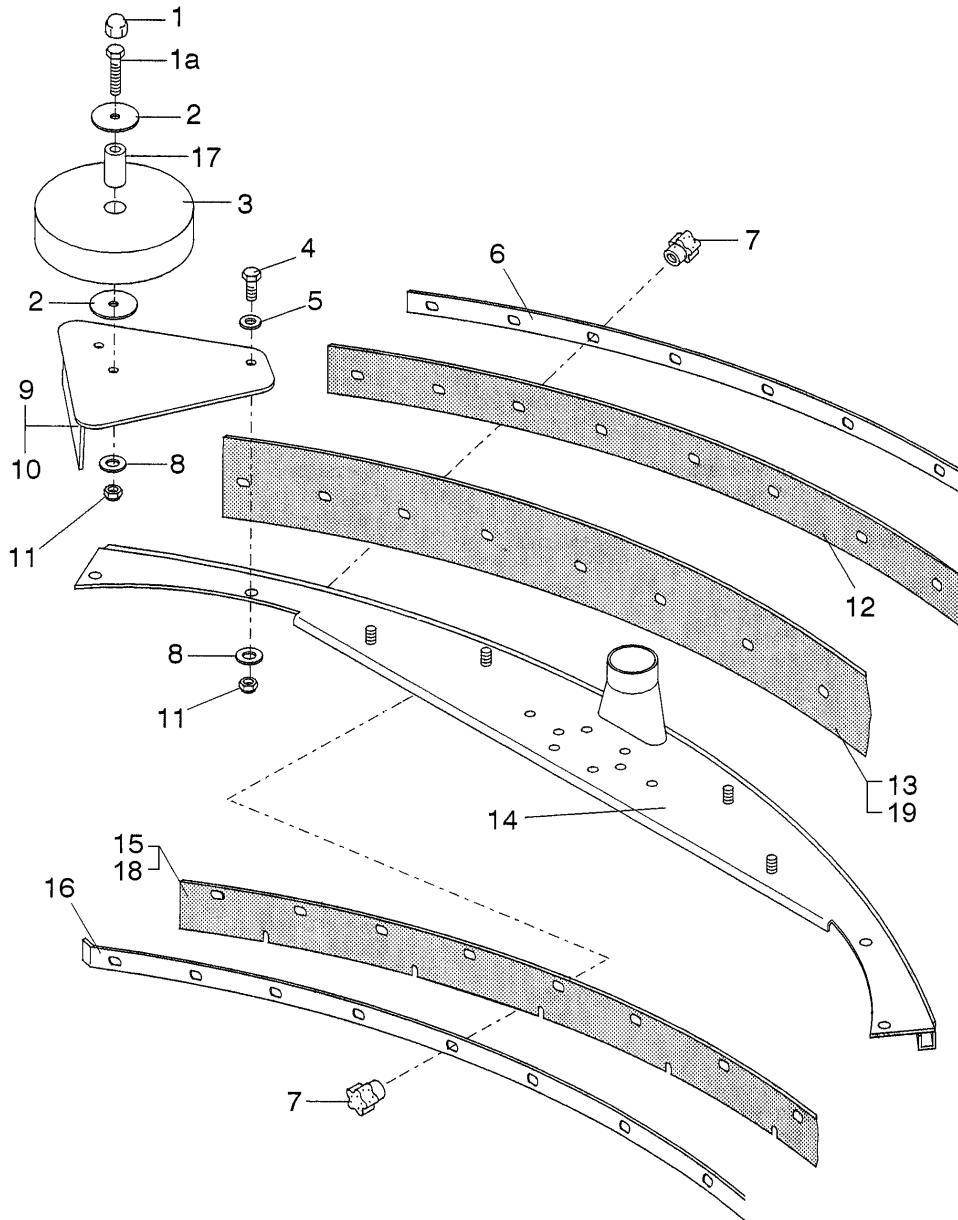
Lifting assy for suction (97042345)



Lifting assy for suction (97042345)

Item	Part number	Description	Qty.	Unit	Remarks
36	00105390	Hex.bolt	1		
37	00051510	Hex. Nut	4		
38	00042900	Washer	8		
39	00053100	Hexagon screw	4		
40	00555520	Washer	1		

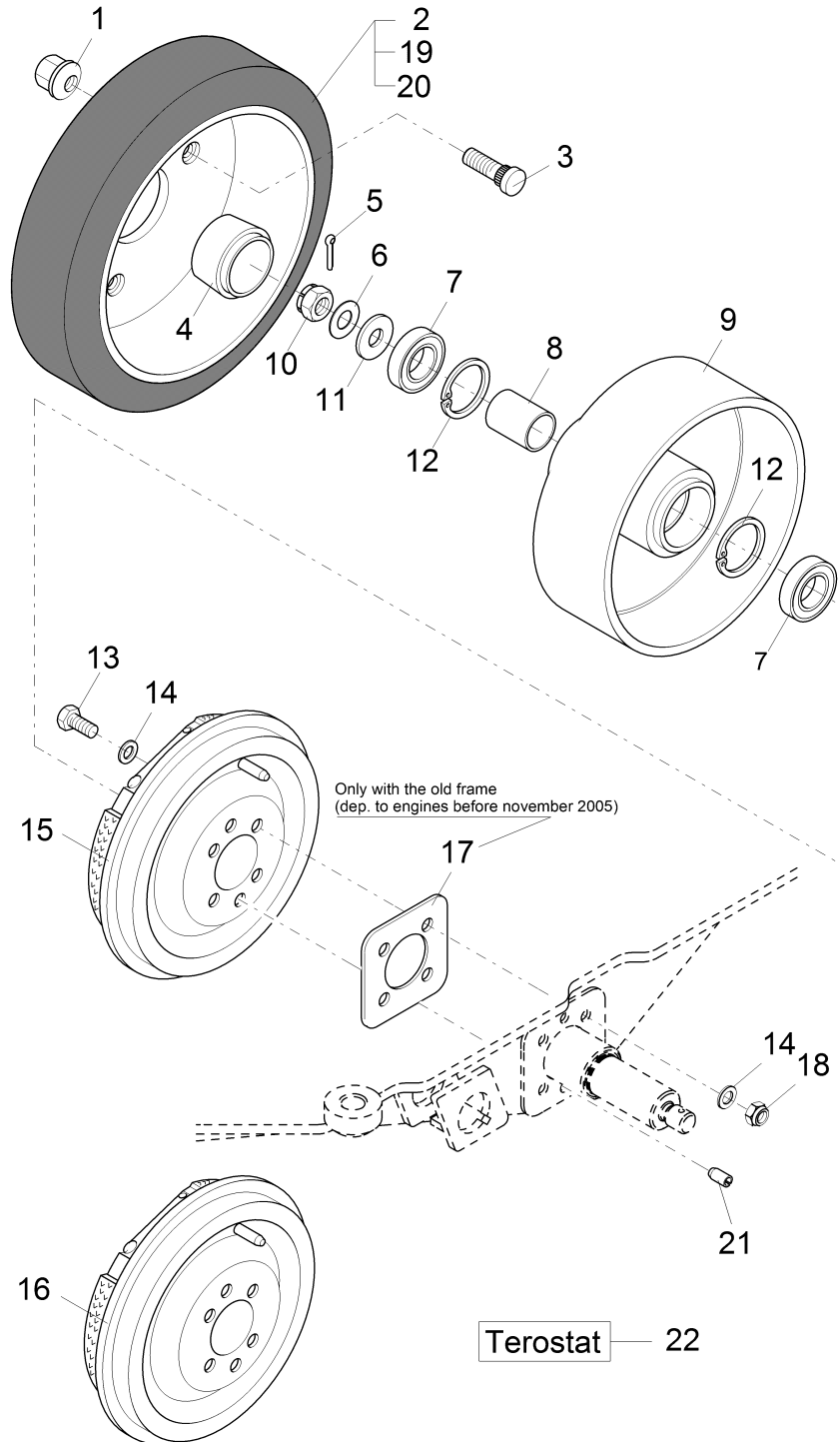
Squeegee (97042360)



Squeegee (97042360)

Item	Part number	Description	Qty.	Unit	Remarks
1	00131610	Lens cap	2		
1a	00053260	Hex.bolt	2		
2	00878400	Washer	4		
3	00972170	Roller	2		
4	00053100	Hexagon screw	4		
5	00053750	Washer	4		
6	00244970	Sheet metal	1		
7	00853730	Star handle	14		
8	00042900	Washer	6		
9	00910140	Plate L.H.	1		
10	00910180	Plate R.H.	1		
11	00051510	Hex. Nut	6		
12	00411600	Supporting border	1		
13	00411580	Sealing strip	1		
14	00035180	Squeegee	1		
15	00411620	Sealing strip	1		
16	00244980	Sheet metal	1		
17	00972180	Sleeve	2		
18	01077090	Sealing strip front (Linatex)	1		
19	01077100	Sealing strip rear (Linatex)	1		

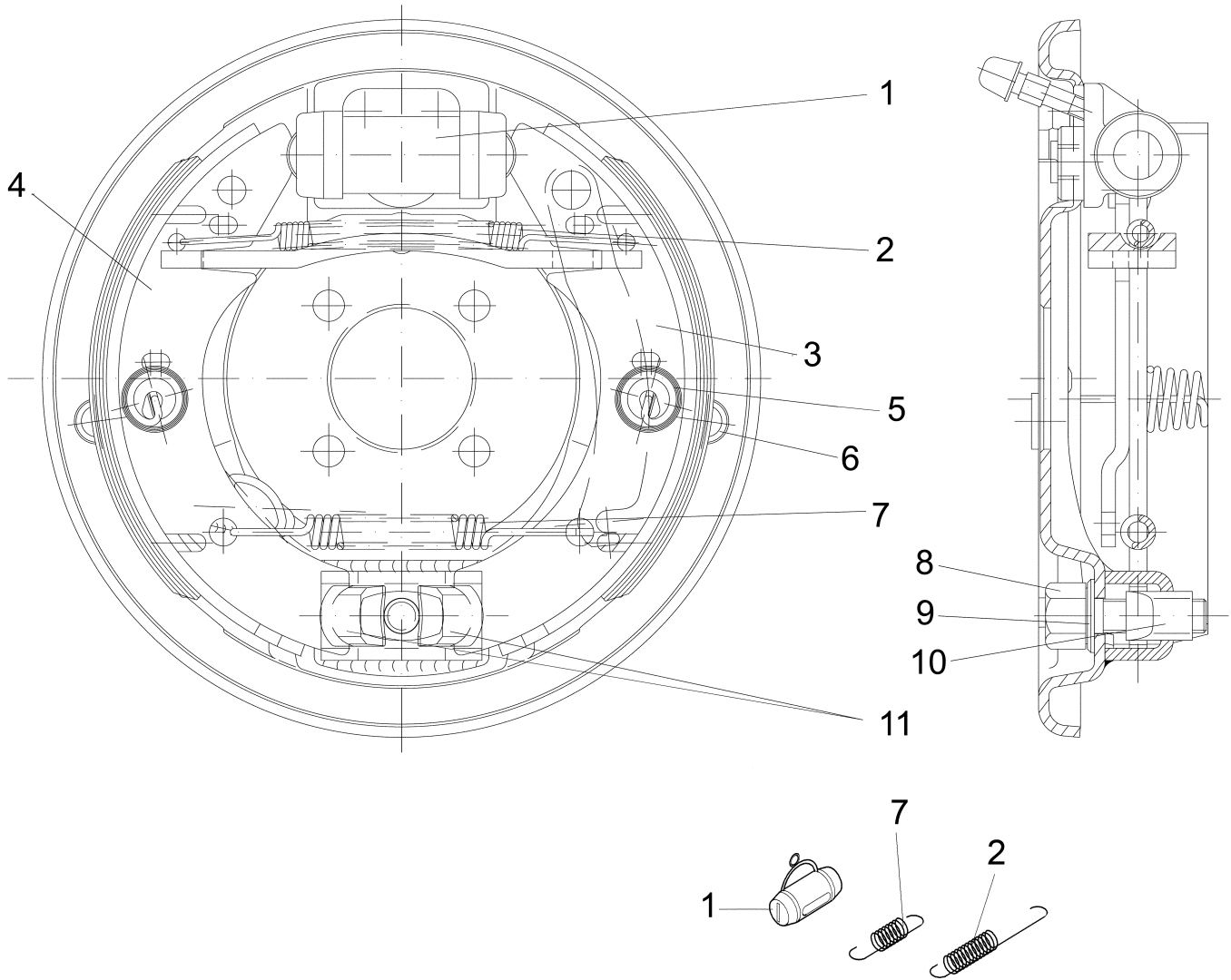
Rear wheels (97042311)



Rear wheels (97042311)

Item	Part number	Description	Qty.	Unit	Remarks
1	00854640	Spherical collar nut	8		
2	00981620	Rear wheel	2		
3	00854630	Wheel bolt	8		
4	00972080	Cover	2		
5	00139930	Cotter pin	2		
6	00155180	Adjusting washer	1		
7	00106500	Deep groove ball bearing	4		
8	00925650	Bushing	2		
9	00910020	Brake drum	2		
10	00072360	Slotted nut	2		
11	00851240	Washer	2		
12	00153110	Retaining ring	4		
13	00749080	Hex.bolt	8		
14	00053750	Washer	16		
15	00321680	Brake R.H.	Page	70	
16	00321650	Brake L.H.	Page	72	
17	00972070	Plate	2		
18	00051510	Hex. Nut	8		
19	01057130	Rear wheel L.H. (skid-proof type)	1		
20	01057140	Rear wheel R.H. (skid-proof type)	1		
21	00072410	Dowel pin	4		
22	03006960	Sealing compound	1		

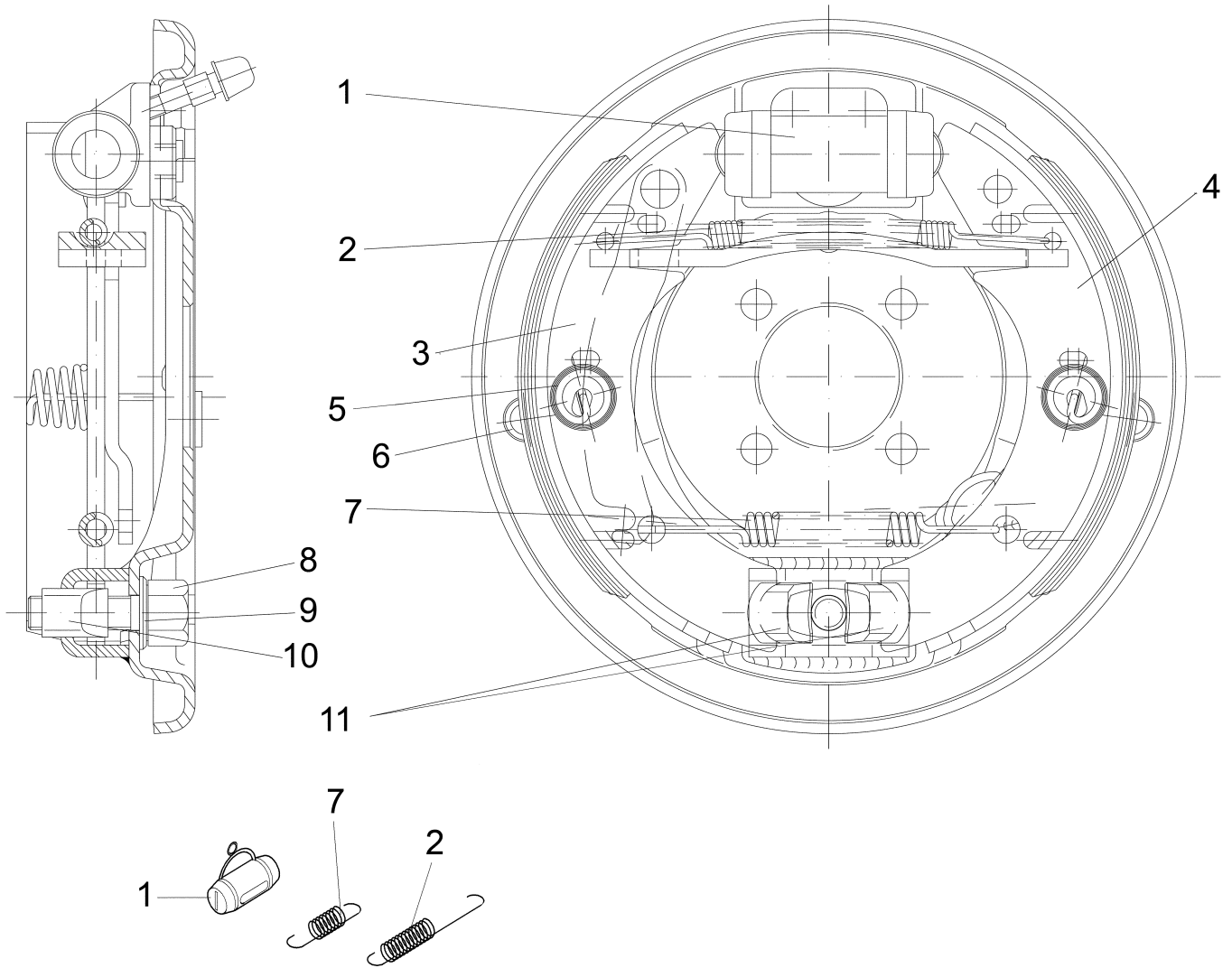
Brake R.H. (00321680)



Brake R.H. (00321680)

Item	Part number	Description	Qty.	Unit	Remarks
1	00109990	Wheel brake cylinder	1		
2	00966260	Tension spring	1		
3	00141950	Brake shoe R.H. with fixing device	1		
4	00260010	Brake shoe	1		
5	00525060	Pressure spring	2		
6	00525010	Sealing cover	2		
7	00022020	Tension spring	1		
8	01146180	Hexagon screw	1		
9	00053760	Washer	1		
10	00525030	adjusting key	1		
11	00525020	Adjusting bolt	2		

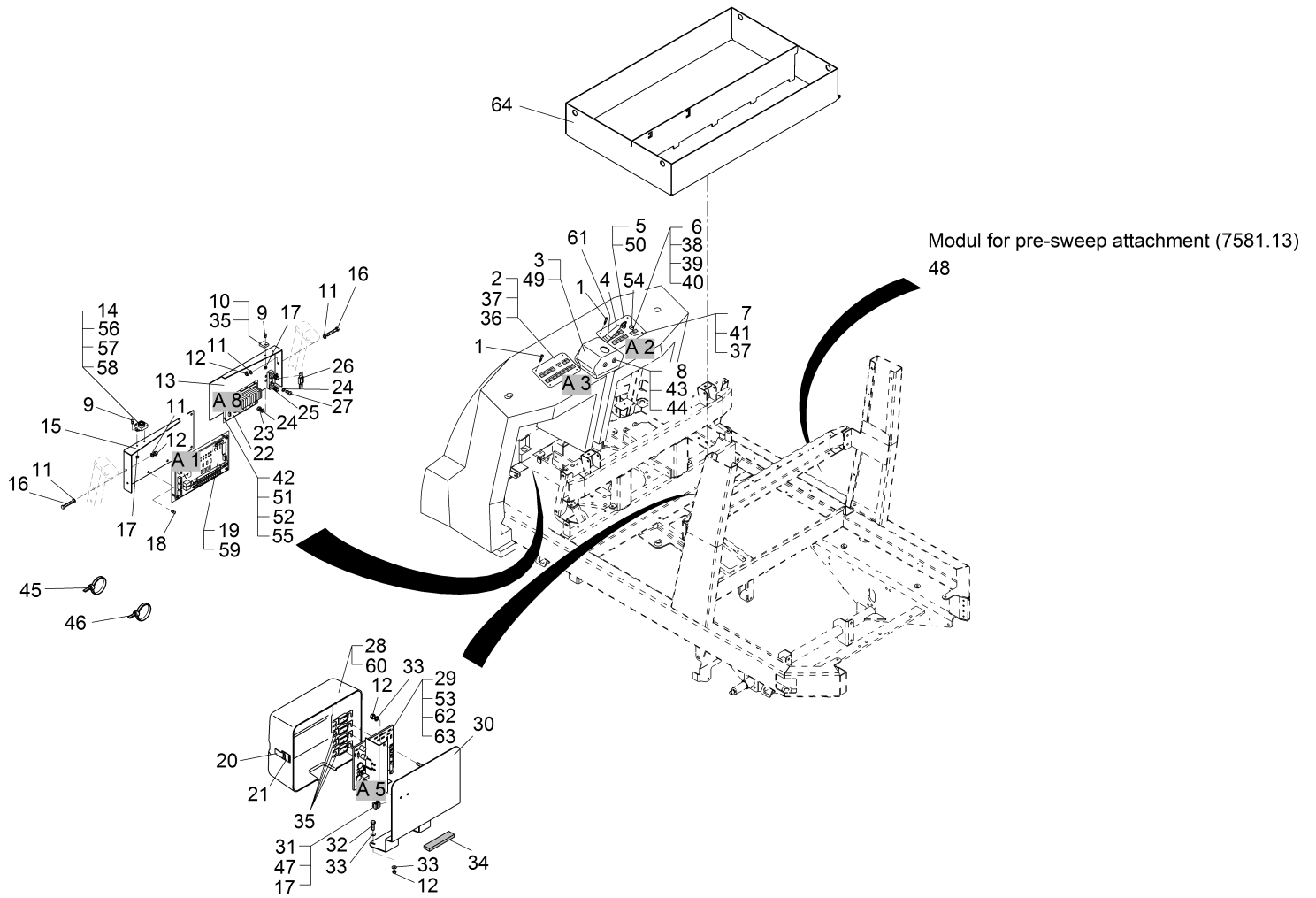
Brake L.H. (00321650)



Brake L.H. (00321650)

Item	Part number	Description	Qty.	Unit	Remarks
1	00109990	Wheel brake cylinder	1		
2	00966260	Tension spring	1		
3	00141980	Brake shoe L.H. with fixing device	1		
4	00260010	Brake shoe	1		
5	00525060	Pressure spring	2		
6	00525010	Sealing cover	2		
7	00022020	Tension spring	1		
8	01146180	Hexagon screw	1		
9	00053760	Washer	1		
10	00525030	adjusting key	1		
11	00525020	Adjusting bolt	2		

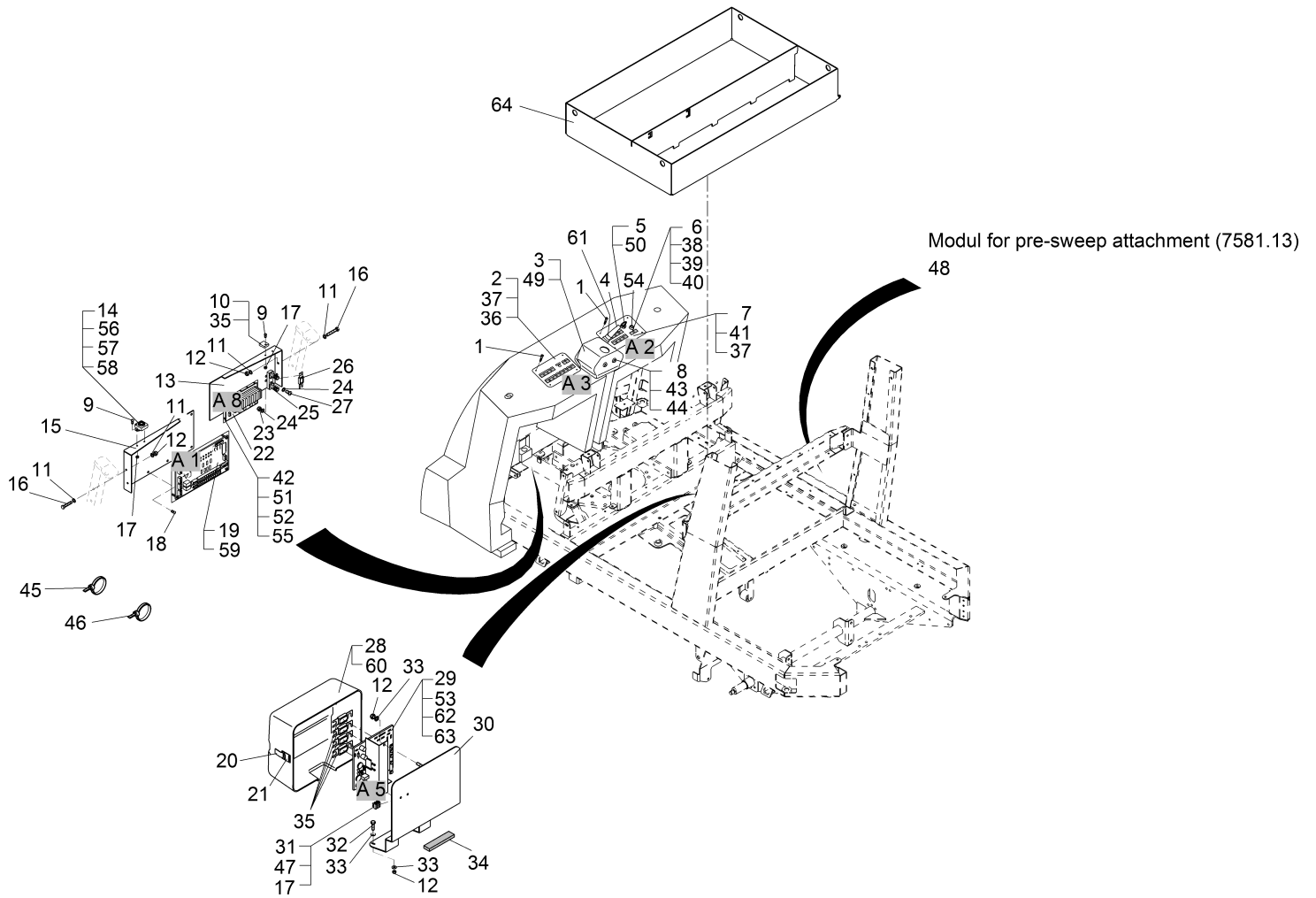
Electrical installation (Part 1) (97099717-1)



Electrical installation (Part 1) (97099717-1)

Item	Part number	Description	Qty.	Unit	Remarks
1	00961490	Screw	8		
2	00512480	Control panel L.H.	1		
3	00831910	Hood	1		
4	00697630	Switch	1		
5	00021710	Key switch	1		
6	00521360	Luminous push-button	2		
7	00512500	Control panel R.H.	1		
8	00733180	Tapping screw	4		
9	00695680	Fillister-head screw	3		
10	00509560	Fuse holder	1		
11	00053730	Washer	30		
12	00051520	Hex. Nut	22		
13	00722210	Angle bracket R.H.	1		
14	00745850	Signal transmitter	1		
15	00722200	Angle bracket L.H.	1		
16	00535110	Hex.bolt	4		
17	00022200	Hex. Nut	5		
18	00731550	Fillister-head screw	8		
19	01175790	Control module	1		
20	01177110	Tension band	2		
21	00109580	Bracket	4		
22	00512440	Auxiliary supply module	1		
23	00133830	Hex. Nut	10		
24	00053710	Washer	6		
25	00121440	Fuse holder	1		
26	00101520	Fuse	1		
27	00954570	Fillister-head screw	2		
28	00831900	Hood	2		
29	00752920	Module	1		
30	00722240	Console R.H.	1		in direction of travel: left hand!
31	---	Spare part on request	0,300		19747039 Strip terminal
32	00053020	Hexagon screw	2		
33	00135120	Washer	4		
34	00053980	Seal	2		
35	00874970	Fuse	1		
36	00712220	Control panel standard	1		

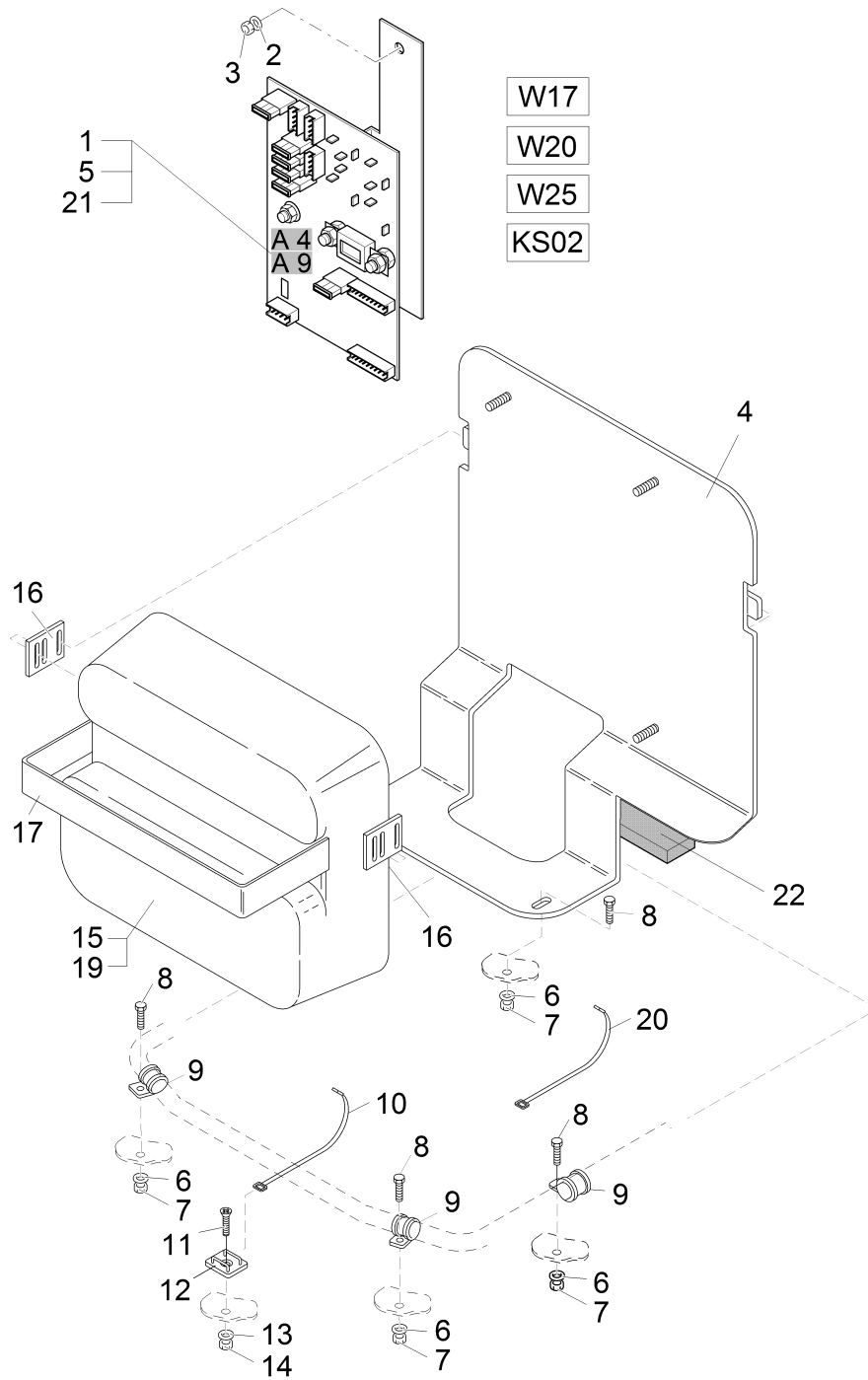
Electrical installation (Part 1) (97099717-1)



Electrical installation (Part 1) (97099717-1)

Item	Part number	Description	Qty.	Unit	Remarks
37	00865630	Sealing tape	1,400		
38	00521380	Control element	2		
39	00521390	Front frame black	2		
40	00521410	Pressure hood	2		
41	00512490	Control panel	1		
42	00132360	lens head screw M4x10	5		
43	00558830	Snap nut	4		
44	00157690	Annular plate	4		
45	00121150	Cable tie	71		
46	00967760	Cable tie	10		
47	00955220	Fillister-head screw	2		
48	97049092	Electric Pre-sweep-attachment	Page	78	
49	00291390	Socket profil	1		
50	00745890	Set (2pc.) key	1		
51	00053680	Distance bolt	5		
52	00154240	Lock washer	5		
53	00127470	Buffer	2		
54	00133770	Press switch	1		
55	00052810	Hex. Nut	5		
56	00121010	Cable tie	1		
57	00903180	Male-housing	1		
58	00903170	Tab	2		
59	00745840	Print plate holder	4		
60	00752350	Edge protection	1		
61	01074110	Rubber cap	1		
62	00053400	Lock washer	2		
63	00053330	Hex. Nut	2		
64	01177850	Battery tray	1		

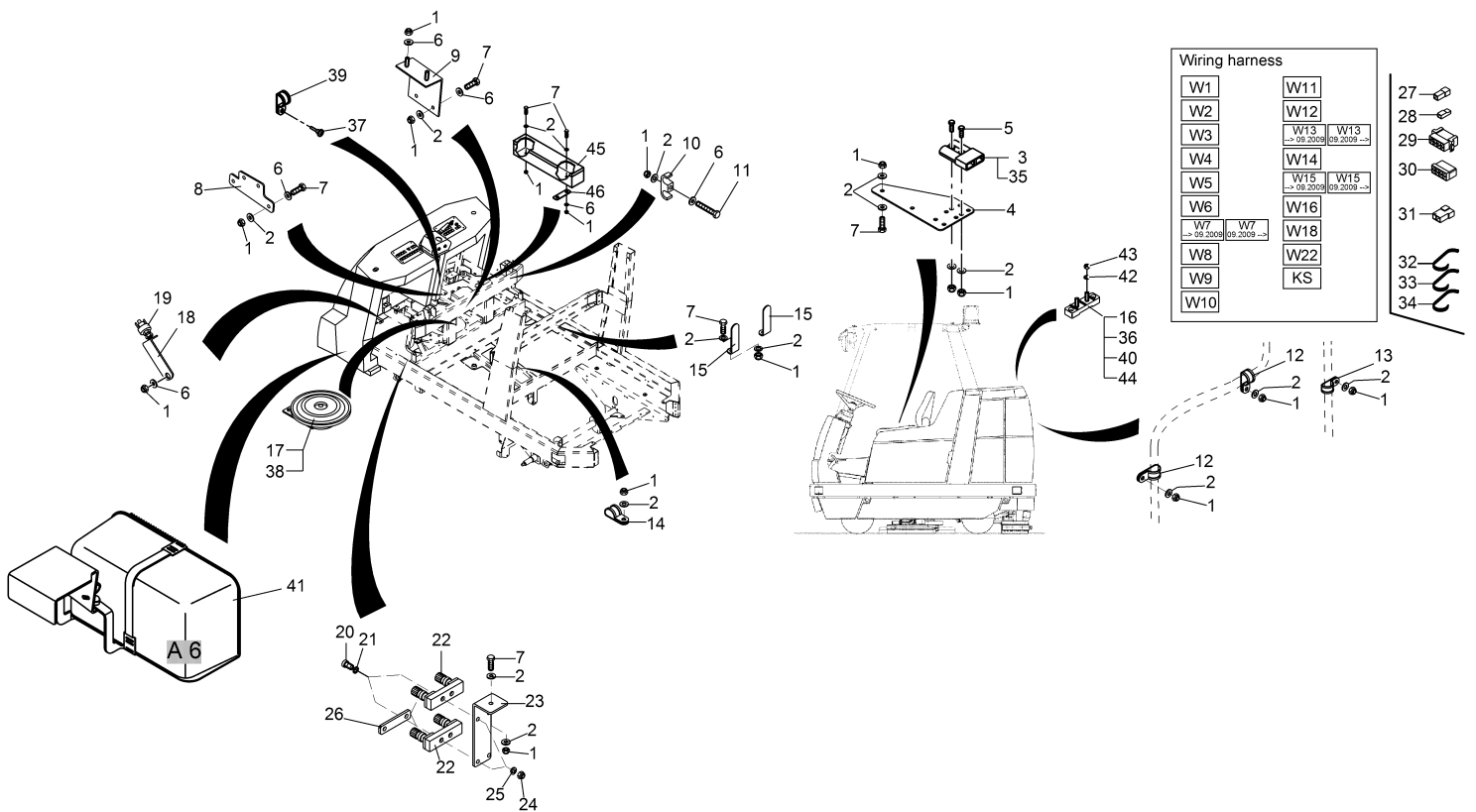
Electric Pre-sweep-attachment (97049092)



Electric Pre-sweep-attachment (97049092)

Item	Part number	Description	Qty.	Unit	Remarks
1	00512460	Module 3E	1		
2	00042900	Washer	2		
3	00051510	Hex. Nut	2		
4	00722230	Console L.H.	1		in direction of travel: right hand!
5	00874970	Fuse	3		
6	00053730	Washer	3		
7	00051520	Hex. Nut	3		
8	00053020	Hexagon screw	3		
9	00130250	Pipe clamp	3		
10	00967760	Cable tie	4		
11	00731550	Fillister-head screw	1		
12	00780710	Socket	1		
13	00053710	Washer	1		
14	00133830	Hex. Nut	1		
15	00831900	Hood	1		
16	00109580	Bracket	4		
17	01177110	Tension band	2		
19	00752350	Edge protection	1		
20	00121150	Cable tie	20		
21	00874960	Fuse	2		
22	00053980	Seal	2		
KS02	03010300	Wiring harness W20	1		
W17	03010270	Wiring harness W17	1		
W20	03010280	Cable loom KS 02	1		
W25	03010290	Wiring harness W25	1		

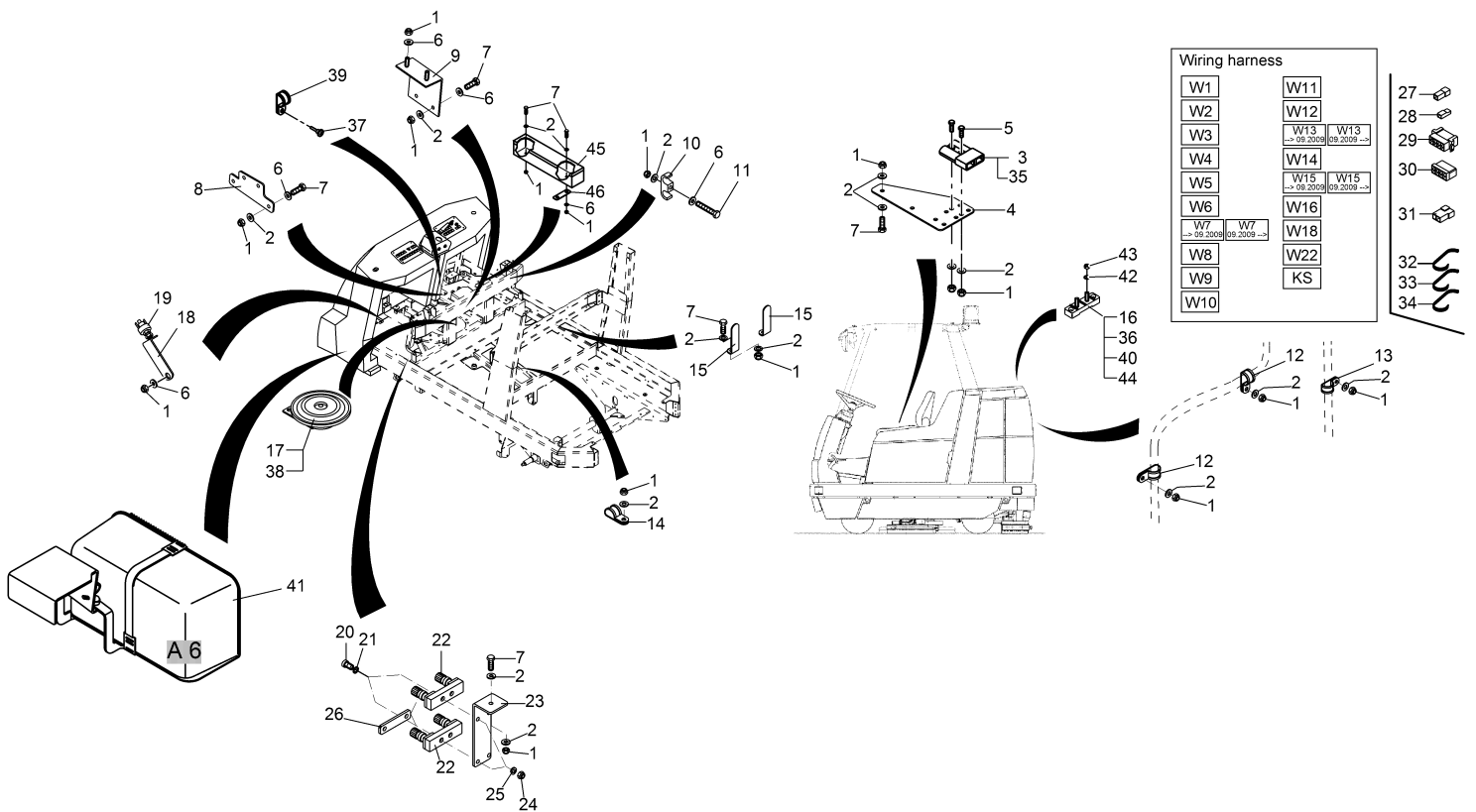
Electrical installation (Part 2) (97099717-2)



Electrical installation (Part 2) (97099717-2)

Item	Part number	Description	Qty.	Unit	Remarks
1	00051520	Hex. Nut	22		
2	00053730	Washer	26		
3	00540210	Charging plug	1		
4	00974560	Plate	1		
5	00053290	Hexagon screw	2		
6	00135120	Washer	26		
7	00053020	Hexagon screw	4		
8	00974540	Support	1		
9	00975070	Support	1		
10	00748300	Clamp	1		
11	00535110	Hex.bolt	5		
12	00109470	Tube clamp	4		
13	00130260	Tube clamp	2		
14	00130250	Pipe clamp	4		
15	00974570	Angle	2		
16	00152830	Clamp strip	2		
17	00050810	Signal horn	1		
18	00974590	Angle	1		
19	00028680	Stop light switch	1		
20	00731550	Fillister-head screw	2		
21	00053710	Washer	1		
22	00121440	Fuse holder	4		
23	00730820	Angle	1		
24	00133830	Hex. Nut	4		
25	00053860	Spring washer	2		
26	00730830	Strap	2		
27	00083650	Male-housing 1-pole FASTIN-ON 6,3	1		
28	00083640	Female-housing 1-pole Positive Lock	1		
29	00956310	Jumper cable	1		
30	00956300	Jumper cable	1		
31	00903180	Male-housing	1		
32	00967760	Cable tie	10		
33	00121010	Cable tie	16		
34	00121150	Cable tie	70		
35	00927190	Contact maker	2		
36	00044550	Countersunk screw	4		

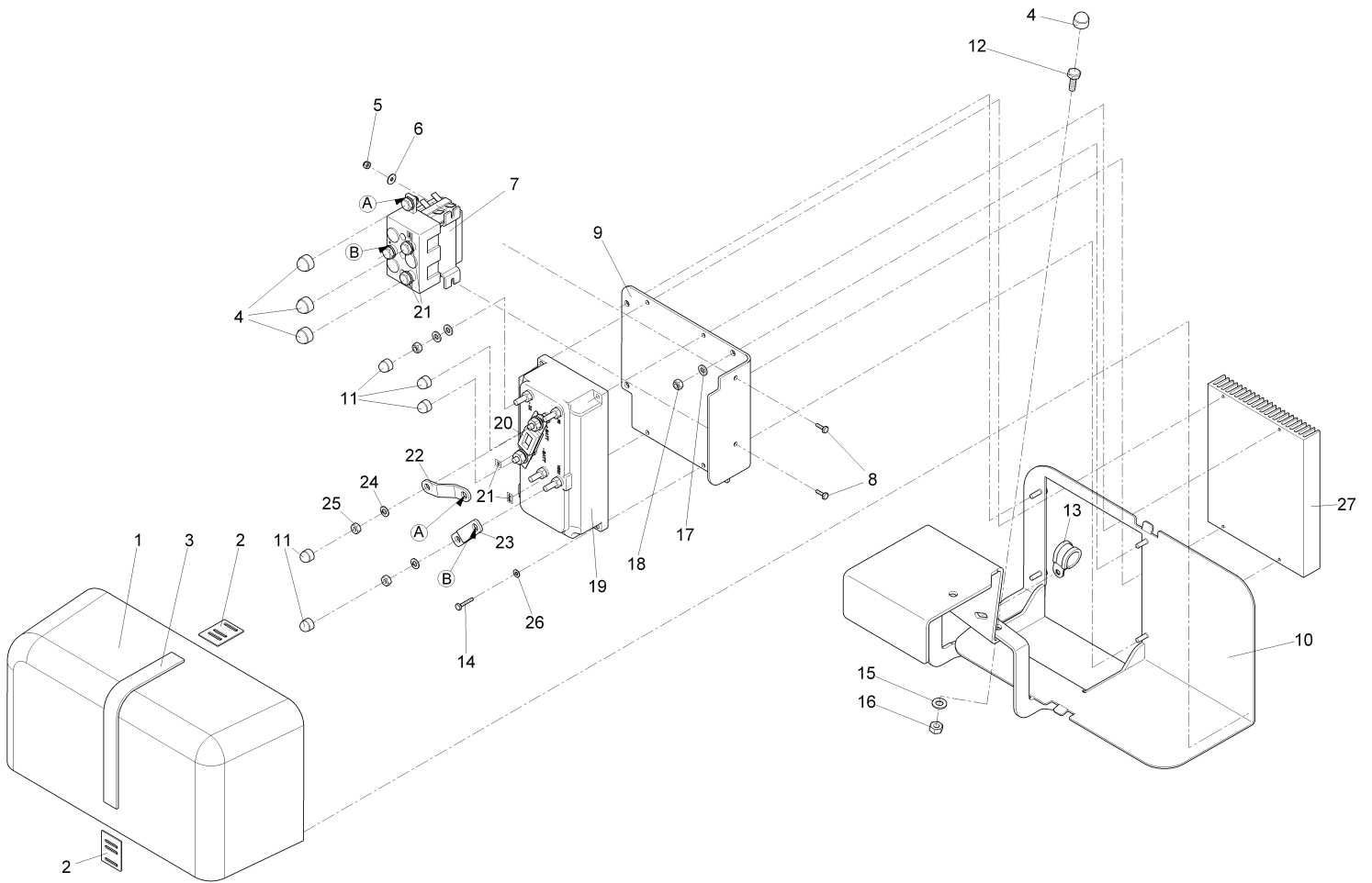
Electrical installation (Part 2) (97099717-2)



Electrical installation (Part 2) (97099717-2)

Item	Part number	Description	Qty.	Unit	Remarks
37	00961490	Screw	1		
38	00121230	Interferense condenser	1		
39	00903290	Tube clamp	1		
40	00027160	Lens cap	4		
41	00831890	Retool kit Driving control Zapi	Page	84	
42	00127100	Toothed washer	4		
43	00959620	Hex. Nut	4		
44	00051340	Hex. Nut	4		
45	01177750	Wiring channel	0,400		
46	00974510	Bracket	1		
KS	03014380	Cable loom	1		
W1	03014290	Wiring harness W1	1		
W2	03014400	Wiring harness W2	1		
W3	03014300	Wiring harness W3	1		
W4	03010040	Wiring harness W4	1		
W5	03010030	Wiring harness W5	1		
W6	03013870	Wiring harness W6	1		
W7a	---	Spare part on request	1		97048854 Wiring harness W7; until 09.2009
W7b	03014420	Wiring harness W7	1		from 09.2009
W8	03014310	Wiring harness W8	1		
W9	03014320	Wiring harness W9	1		
W10	03014330	Wiring harness W10	1		
W11	03014110	Wiring harness W11	1		
W12	03014340	Wiring harness W12	1		
W13a	03012490	Wiring harness W13	1		until 09.2009
W13b	03012600	Wiring harness W13	1		from 09.2009
W14	03014350	Wiring harness W14	1		
W15a	---	Spare part on request	1		97048938 Wiring harness W15; until 09.2009
W15b	03014410	Wiring harness W15	1		from 09.2009
W16	03014390	Wiring harness W16	1		
W18	---	Spare part on request	1		97108872 Wiring harness W18
W22	03014370	Wiring harness W22	1		

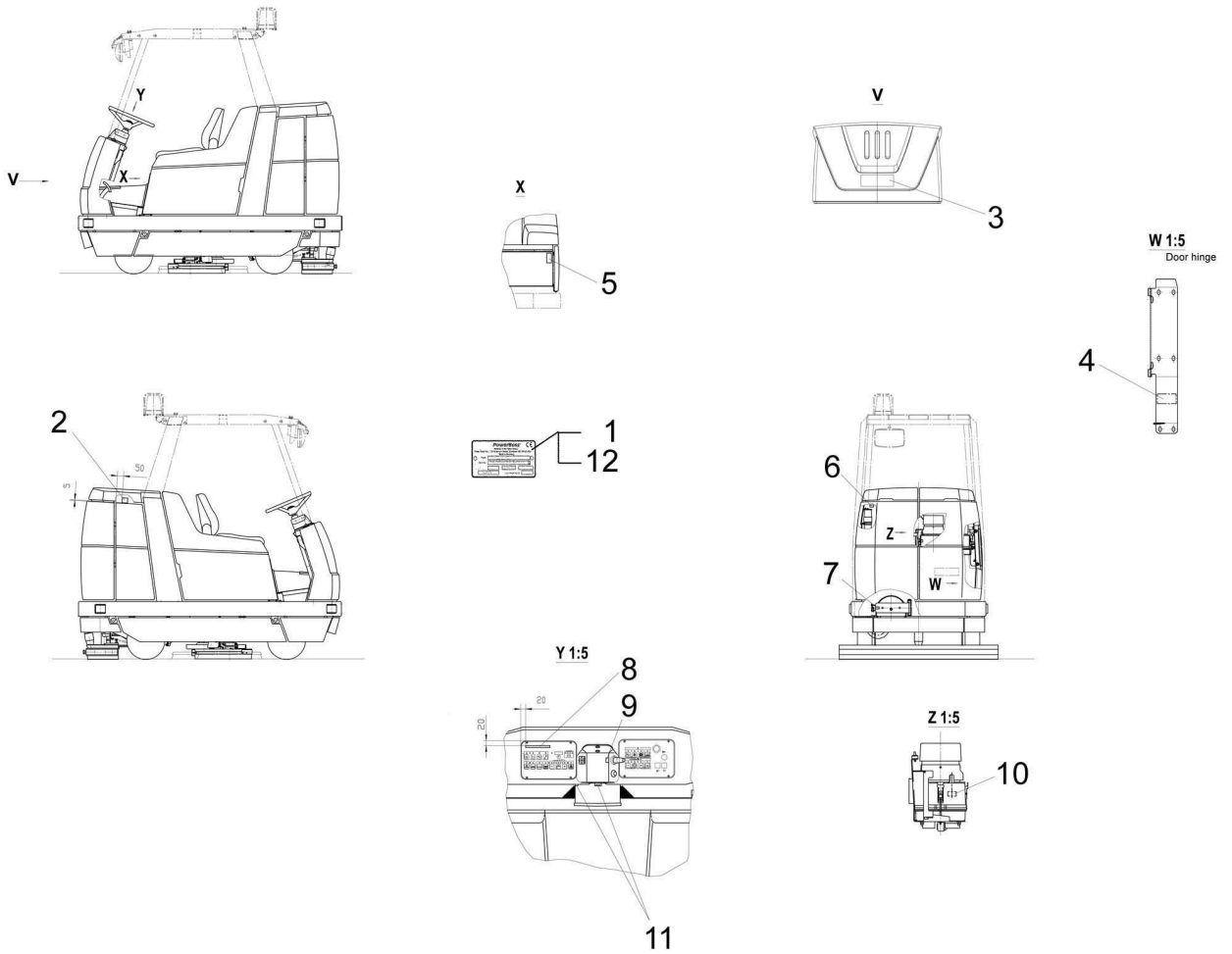
Retool kit Driving control Zapi (00831890)



Retool kit Driving control Zapi (00831890)

Item	Part number	Description	Qty.	Unit	Remarks
1	01079800	Hood	1		
2	00109580	Bracket	2		
3	01177110	Tension band	1		
4	00131610	Lens cap	5		
5	00133830	Hex. Nut	2		
6	00557150	Washer	2		
7	01079810	Reversion contactor	1		
8	00023080	Hex.bolt	2		
9	01079820	Angle plate	1		
10	01079830	Angle	1		
11	00525910	Lens cap	5		
12	00053100	Hexagon screw	2		
13	00130260	Tube clamp	1		
14	00108490	Hex.bolt	4		
15	00053750	Washer	2		
16	00051510	Hex. Nut	2		
17	00053730	Washer	6		
18	00051520	Hex. Nut	5		
19	01171320	Driving control	1		
20	00853830	fuse link	1		
21	03003000	Transparency	4		
22	01079040	Current bar	1		
23	01079050	Current bar	1		
24	00053400	Lock washer	2		
25	00053330	Hex. Nut	2		
26	00053710	Washer	4		
27	03011330	Cooler body	1		

Labels (97127062)



Labels (97127062)

Item	Part number	Description	Qty.	Unit	Remarks
1	03008410	Type plate POWERBOSS	1		
2	01074400	Decal caustic solution tank	1		
3	03008390	Decal POWERBOSS	1		
4	03008790	Backing film	1		
5	01071710	Decal "Instruction manual"	1		
6	01170060	Decal FOUL WATER	1		
7	01170130	Decal	1		
8	---	Spare part on request	1		17205691 Decal Admiral Plus Series
9	01170140	Decal	1		
10	01170150	Decal SOLUTION TANK	1		
11	01131560	Decal PARKING BRAKE	1		
12	00504370	Blind rivet	2		

Warranty Information

Revision F
Effective November 1, 2008
PowerBoss Made Simple Industrial Limited Warranty

Minuteman International owner of PowerBoss warrants to the original purchaser/user that the product is free from defects in workmanship and materials under normal use. PowerBoss will, at its option, repair or replace without charge, parts that fail under normal use and service when operated and maintained in accordance with the applicable operation and instruction manuals. All warranty claims must be submitted through and approved by factory authorized repair stations.

This warranty does not apply to normal wear, or to items whose life is dependent on their use and care. Parts not manufactured by PowerBoss are covered by and subject to the warranties and/or guarantees of their manufacturers. Please contact Minuteman International for procedures in warranty claims against these manufacturers.

Special warning to purchaser -- Use of replacement parts not manufactured by PowerBoss or its designated licensees, will void all warranties expressed or implied. A potential health hazard exists without original equipment replacement.

All warranted items become the sole property of Minuteman International or PowerBoss or its original manufacturer, whichever the case may be.

PowerBoss disclaims any implied warranty, including the warranty of merchantability and the warranty of fitness for a particular purpose. PowerBoss assumes no responsibility for any special, incidental or consequential damages.

This limited warranty is applicable only in the U.S.A. and Canada, and is extended only to the original user/purchaser of this product. Customers outside the U.S.A. and Canada should contact their local distributor for export warranty policies. PowerBoss is not responsible for costs or repairs performed by persons other than those specifically authorized by PowerBoss. This warranty does not apply to damage from transportation, alterations by unauthorized persons, misuse or abuse of the equipment, use of non-compatible chemicals, or damage to property, or loss of income due to malfunctions of the product. If a difficulty develops with this machine, you should contact the dealer from whom it was purchased.

This warranty gives you specific legal rights, and you may have other rights, which vary from state to state. Some states do not allow the exclusion or limitation of special, incidental or consequential damages, or limitations on how long an implied warranty lasts, so the above exclusions and limitations may not apply to you.

	Travel*	Labor	Parts	Engine	Extended Warranty	Costs
Walk behinds						
Battery sweepers	Ninety days	One year	One year	N/A	2 years Parts + Labor (or 2000 Hours)	2%
IC sweepers	Ninety days	One year	One year	Through manufacturer	2 years Parts + Labor (or 2000 Hours)	2%
Battery scrubbers	Ninety days	Two years	Three years	N/A	3 Years Parts + Labor (or 3000 Hours)	2%
Riders						
Battery scrubbers	Ninety days	Two years	Three years/2000 hrs	N/A	3 Years Parts + Labor (or 3000 Hours)	2%
IC sweeper/scrubbers	Ninety days	Six months	Two years/2000 hrs	Two years/3000 hrs**	2 years Parts + Labor (or 2000 Hours)	3%
IC sweepers	Ninety days	Six months	Four years/3000 hrs	Five years/3000 hrs**	4 Years Parts + 2 Years Labor (or 4000 Hours)	3%
Exceptions						
Apex series sweeper	Ninety days	One year	One year/1000 hrs	One year/1000 hrs**	2 years Parts + Labor (or 2000 Hours)	3%
6X sweeper	Ninety days	Six months	Two years/2000 hrs	Two years/2000 hours**	2 years Parts + Labor (or 2000 Hours)	3%

Tank Bladders Eight years/ no additional labor
Polypropylene plastic tanks Ten years/ no additional labor
Batteries 0-3 months full replacement, 4-12 prorated credit
Chargers One-year replacement
Replacement parts Ninety days

*Two-hour cap

**Through engine manufacturer. See section 3 of warranty manual for engine warranty exceptions

*** Based upon dealer's certification status

Extended Warranty MUST be signed up within 30 days of delivery to End User (Dealer has 1Year from Receiving Machine to Sign up extended Warranty)

Extended Warranty Cost is based on Invoice Price multiplied by the Percentage listed in the Extended Warranty Column

All above labor and travel reimbursed at 65 or 75% of the published shop rate.



“The Power of Clean”

PowerBoss Is A Full Line Manufacturer Of Sweepers and Scrubbers For Industrial Facilities.

PowerBoss, Inc 175 Anderson Street P.O. Box 1227- Aberdeen North Carolina 28315

Phone: 800-982-7141 - Fax: 1-800-277-7141 Local: 910-944-2105 Fax: 910-944-7409 e-mail: techsupport@powerboss.com

A Member Of The Hako Group